



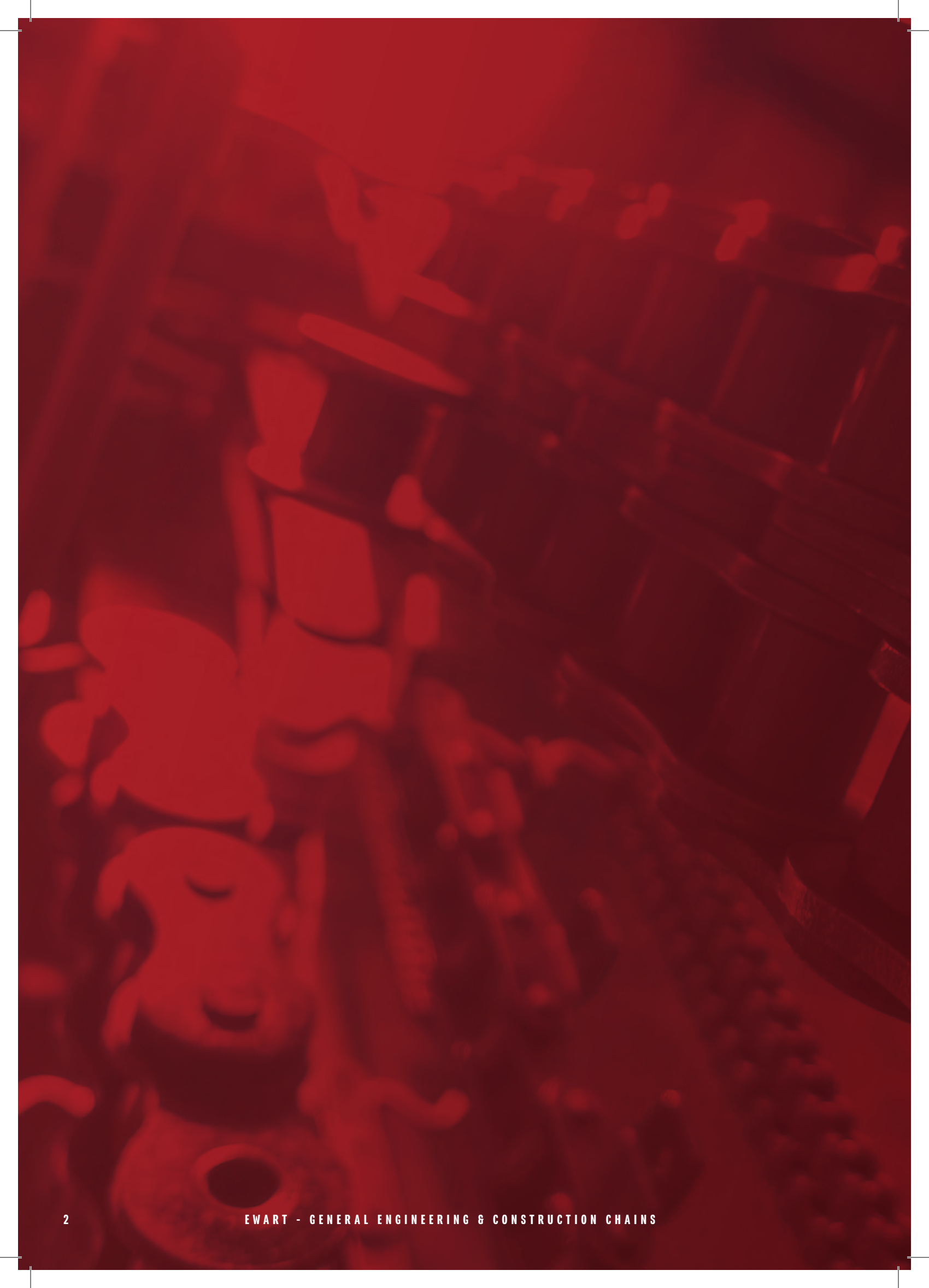
**EWART**

- SINCE 1879 -

**GENERAL ENGINEERING &  
CONSTRUCTION CHAINS**

BROCHURE

LINKED TO A CHAIN OF INDUSTRIES

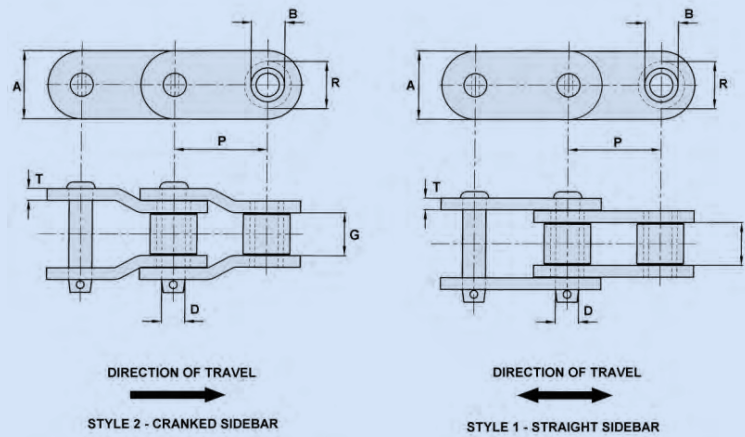


## **CONTENTS**

---

Rotary Drive Chain .....	4
Pressure Feeder Chain .....	5
Steel Bush Chains .....	6 - 13
Steel Roller Chains .....	14 - 17
Steel Roller Chains (Shell) .....	18-19
Combination Chains .....	20 - 25

# ROTARY DRIVE CHAIN

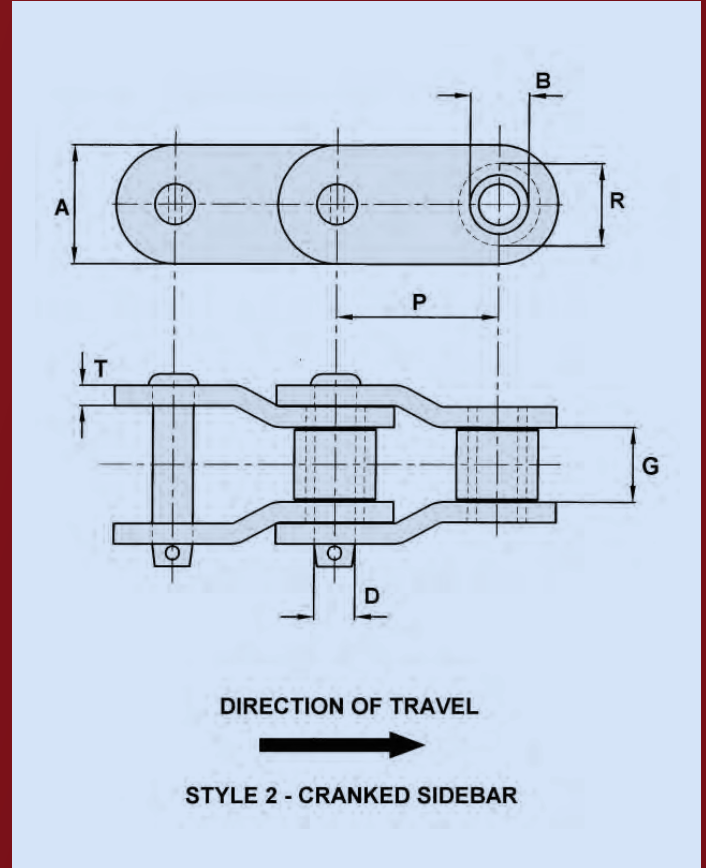


CHAIN No.	Pitch	Allow Load	UTS	Pin Diameter	Roller Diameter	Sidebar Depth	Sidebar Thickness	Maximum Gearing	Bush Diameter	Chain Weight Lbs./ft	Chain Style
	P			D	R	A	T	G	B		H
EXS2065	2.000	3,890	65,000	0.59	1.13	1.63	0.31	1.25	0.87	7.6	2
2500X	2.500	5,190	68,000	0.62	1.25	1.63	0.31	1.50	0.91	8.8	2
64S	2.500	7,500	115,000	0.88	1.56	2.38	0.38	1.53	1.21	12.8	1
EXS882	2.609	2,500	28,000	0.44	0.87	1.13	0.25	1.13	0.64	3.6	2
EXS402	3.075	4,650	48,000	0.62	1.25	1.50	0.31	1.50	0.88	7.4	2
API3P	3.075	5,100	75,000	0.65	1.25	1.56	0.38	1.50	0.91	8.6	2
1190EXX	3.075	5,100	100,000	0.65	1.25	1.75	0.38	1.50	0.91	8.3	2
3012	3.067	6,000	110,000	0.75	1.63	2.25	0.38	1.56	1.13	13.9	2
3067X	3.067	6,000	110,000	0.75	1.63	2.00	0.38	1.58	1.13	12.0	2
2512*	3.067	6,410	115,000	0.75	-	2.13	0.38	1.50	1.25	11.0	2
B7811	3.075	5,100	100,000	0.65	1.25	1.75	0.38	1.50	0.91	8.3	2
E3114	3.090	7,650	140,000	0.88	1.75	2.25	0.50	1.50	1.25	17.5	2
E238R	3.500	7,650	150,000	0.88	1.75	2.25	0.50	1.50	1.25	16.0	2
3514	3.500	7,650	150,000	0.88	1.75	2.25	0.50	1.50	1.25	16.7	2
1664A	4.000	14,700	250,000	1.19	2.25	3.25	0.56	2.19	1.63	28.6	2
API4P	4.063	9,000	150,000	0.88	1.75	2.25	0.50	2.00	1.25	15.7	2
4014	4.063	9,000	150,000	0.88	1.75	2.25	0.50	2.00	1.25	15.7	2
RX1245	4.073	10,050	170,000	0.94	1.78	2.38	0.56	1.94	1.31	18.7	2
4015A	4.073	10,050	170,000	0.94	1.78	2.38	0.56	1.94	1.31	18.7	2
E4073	4.073	11,500	170,000	1.00	1.78	2.38	0.56	1.94	1.31	18.7	2
4016	4.090	11,500	170,000	1.00	1.87	2.75	0.56	1.94	1.31	22.6	2
4016LR	4.090	11,500	170,000	1.00	2.00	2.75	0.56	1.94	1.31	23.3	2
4500A	4.500	12,200	208,000	1.09	2.25	3.00	0.56	2.06	1.63	24.5	2
EXS5026	5.000	16,130	260,000	1.25	2.50	3.25	0.56	2.56	1.88	31.1	2
5020	5.000	17,500	260,000	1.25	2.50	3.50	0.63	2.75	1.88	35.1	2
EXS5027	5.000	17,500	260,000	1.25	2.50	3.5	0.63	2.75	1.88	35.1	2
1605AAA	5.000	21,000	330,000	1.38	2.50	3.50	0.75	2.56	1.88	39.8	2
5022	5.000	21,000	330,000	1.38	2.50	3.50	0.75	2.56	1.88	39.8	2
E1605	5.000	22,200	330,000	1.38	2.50	3.50	0.75	2.75	1.88	40.3	2
EXS5042	5.000	23,700	420,000	1.50	3.00	4.00	0.75	3.00	2.25	51.6	1
5500A	5.500	23,625	400,000	1.50	3.00	4.00	0.75	3.00	2.25	49.8	2
5524	5.500	23,700	420,000	1.50	3.00	4.00	0.75	3.00	2.25	49.8	2
6024	6.000	23,700	420,000	1.50	3.00	4.00	0.75	3.00	2.25	46.4	2
EXS6042	6.000	23,700	420,000	1.50	3.00	4.00	0.75	3.00	2.25	46.4	2

\* CHAIN NO. 2512 IS A NON-ROLLER CHAIN AND THEREFORE THE DIRECTION OF TRAVEL IS OPPOSITE TO ROLLER CHAINS

# PRESSURE FEEDER DRIVE CHAIN

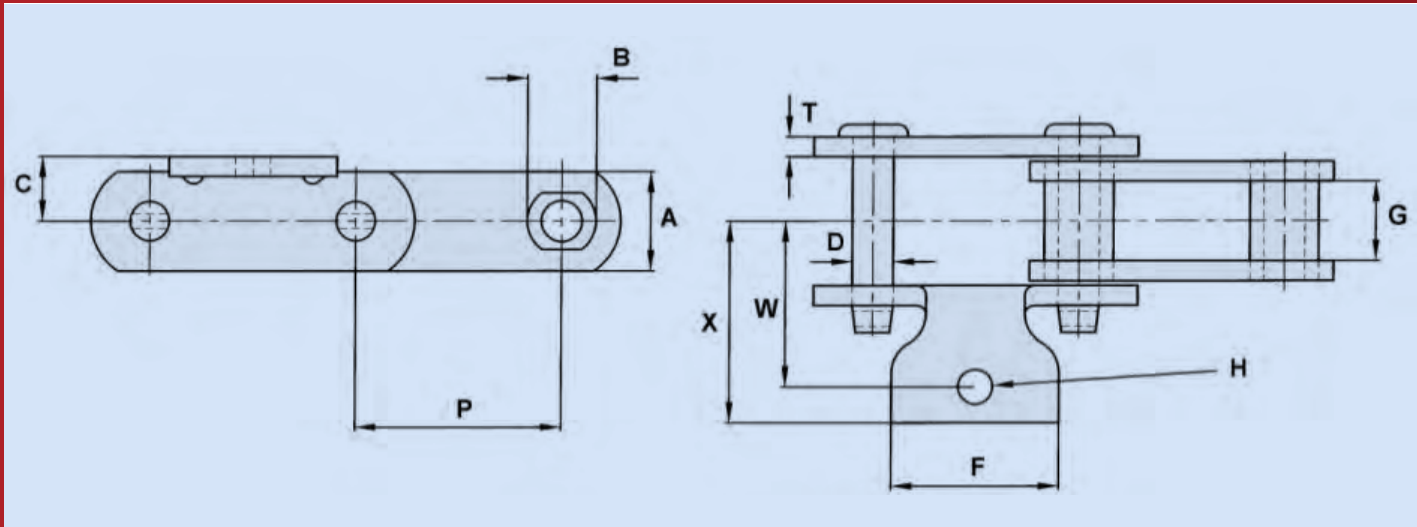
These chains have specially treated components to suit this application.



CHAIN No.	Pitch	Allow Load	UTS	Pin Diameter	Roller Diameter	Sidebar Depth	Sidebar Thickness	Maximum Gearing	Bush Diameter	Chain Weight Lbs./ft	Chain Style
	P			D	R	A	T	G	B		H
API4P	4.063	9,000	150,000	0.88	1.75	2.25	0.50	2.00	1.25	15.7	2
4500A	4.500	12,200	208,000	1.09	2.25	3.00	0.56	2.06	1.63	24.5	2
1605AAA	5.000	21,000	330,000	1.38	2.50	3.50	0.75	2.56	1.88	39.8	2
E1605	5.000	22,200	330,000	1.38	2.50	3.50	0.75	2.75	1.88	40.3	2
EXSG042	6.000	23,700	420,000	1.50	3.00	4.00	0.75	3.00	2.25	46.4	2
6042X	6.000	23,700	420,000	1.50	3.00	4.00	0.81	3.00	2.25	49.1	2
6060	6.000	40,000	600,000	1.88	3.50	4.50	0.88	4.00	2.63	66.0	2

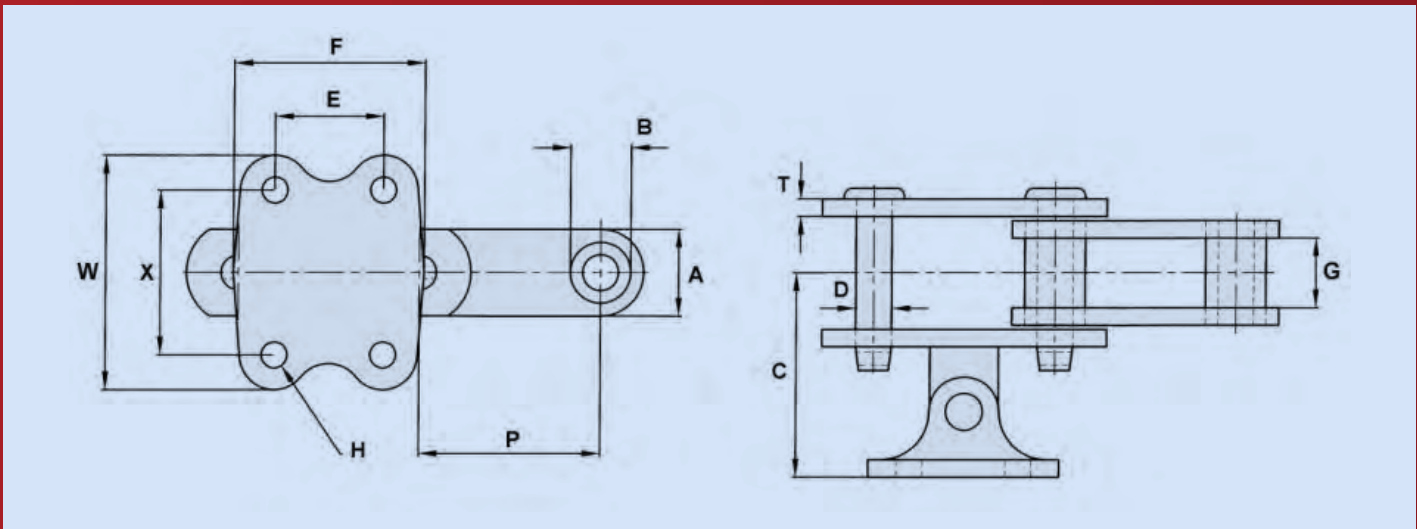
# STEEL BUSHED CHAINS

## A1 ATTACHMENTS



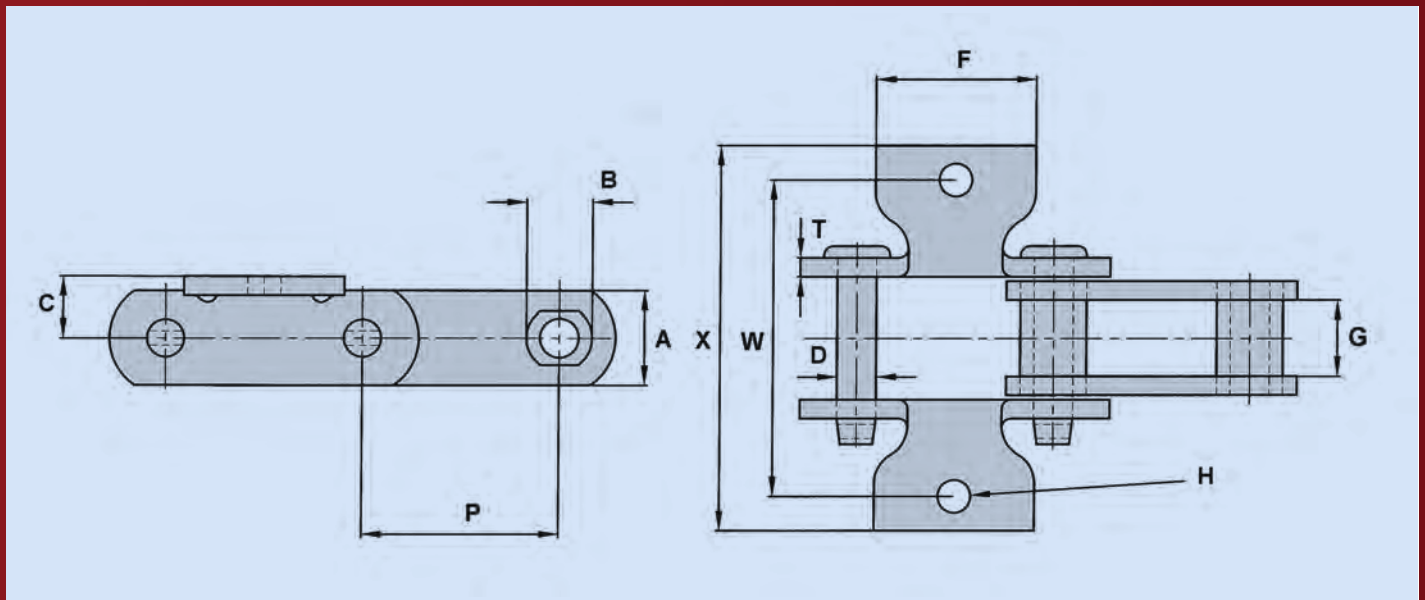
CHAIN No.	Pitch	Allow Load	UTS	Pin Dia.	Sidebar Depth	Max Gearing	Barrel Dia.				Bolt Dia.			
	P			D	A	G	B	C	F	H	T	W	X	
SS188	2.609	2800	25000	0.5	1.25	1.06	0.87	0.81	2.13	0.38	0.25	1.87	1.56	

## AS20 ATTACHMENTS



CHAIN No.	Pitch	Allow Load	UTS	Pin Dia.	Sidebar Depth	Max Gearing	Barrel Dia.				Bolt Dia.			
	P			D	A	G	B	C	E	F	H	W	X	
SS188	2.609	2800	25000	0.5	1.25	1.06	0.88	2.94	1.56	2.75	0.31	3.19	2.19	
SS102B	4	6300	40000	0.62	1.5	2.13	1	3.89	1.69	3.13	0.31	3.5	2.44	
SS110	6	6300	40000	0.62	1.5	2.13	1.25	4.25	2.5	4	0.38	3.5	2.25	
B5239	6	8860	75000	0.75	2	2.62	1.44	4.69	2.5	3.75	0.5	4.25	3	

# K1 ATTACHMENTS

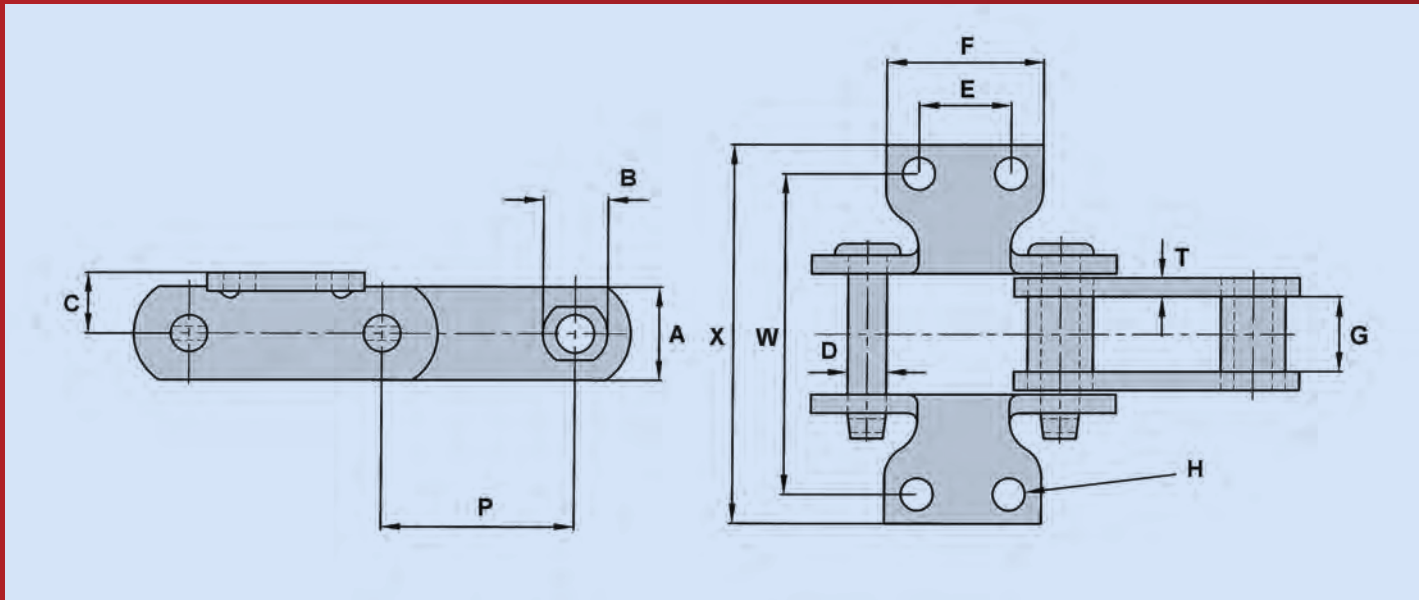


CHAIN No.	Pitch	Allow Load	UTS	Pin Dia.	Sidebar Depth	Max Gearing	Barrel Dia.			Bolt Dia.			
	P			D	A	G	B	C	F	H	T	W	X
SS188	2.609	2,800	25,000	0.50	1.25	1.06	0.87	0.81	2.13	0.38	0.25	3.75	2.61

CHAIN No.	Pitch	Allow Load	UTS	Pin Dia.	Sidebar Depth	Max Gearing	Barrel Dia.			Bolt Dia.			
	P			D	A	G	B	C	E	F	H	W	X
EX600	6.040	6,500	66,000	0.71	1.97	1.96	1.13	1.06	1.97	0.71	0.39	5.98	7.95
EX603	3.000	4,000	44,000	0.55	1.57	1.49	0.88	0.79	1.49	0.47	0.31	4.37	5.63

## CRANKED SIDE BARS

# K2 ATTACHMENTS



CHAIN No.	Pitch	Allow Load	UTS	Pin Dia.	Sidebar Depth	Max Gearing	Barrel Dia.				Bolt Dia.			
	P			D	A	G	B	C	E	F	H	T	W	X
SS188	2.609	2,800	25,000	0.50	1.25	1.06	0.88	0.81	1.25	2.13	0.38	0.25	4.19	5.13
SS131	3.075	4,500	40,000	0.62	1.50	1.31	1.25	1.00	1.50	2.63	0.50	0.38	4.13	5.13
SS102B*	4.000	6,300	40,000	0.62	1.50	2.13	1.00	1.00	1.75	2.69	0.38	0.38	5.31	6.66
SS111	4.760	8,850	75,000	0.75	2.00	2.63	1.44	1.50	2.31	3.63	0.38	0.38	6.25	8.06
SS110	6.000	6,300	40,000	0.62	1.50	2.13	1.25	1.00	1.75	2.88	0.38	0.38	5.31	6.66
B5239	6.000	8,860	75,000	0.75	2.00	2.62	1.44	1.50	2.31	4.50	0.50	0.38	6.25	8.38

STRAIGHT SIDED

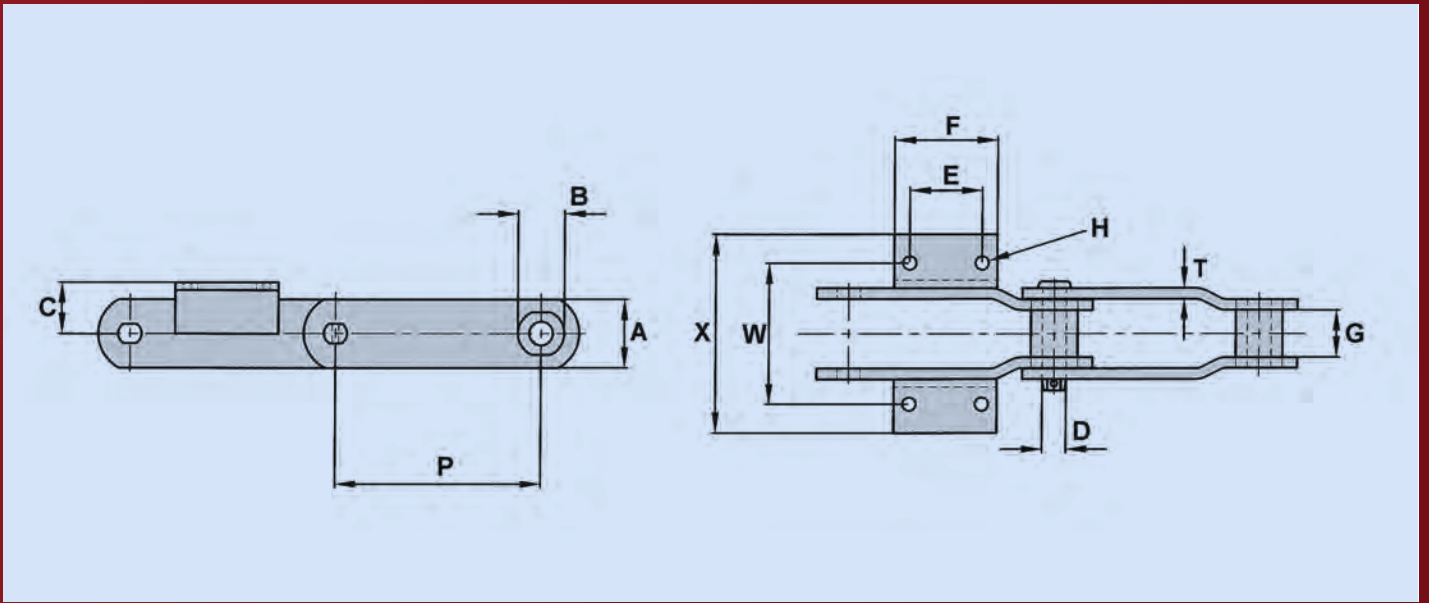
\*SS102B CAN BE SUPPLIED WITH 1.1/2" DIA. ROLLERS IF REQUIRED

CHAIN No.	Pitch	Allow Load	UTS	Pin Dia.	Sidebar Depth	Max Gearing	Barrel Dia.				Bolt Dia.			
	P			D	A	G	B	C	F	H	T	W	X	
EX600	6.040	6,500	66,000	0.71	1.97	1.96	1.13	1.06	1.97	0.71	0.39	5.98	7.95	
EX603	3.000	4,000	44,000	0.55	1.57	1.49	0.88	0.79	1.49	0.47	0.31	4.37	5.63	

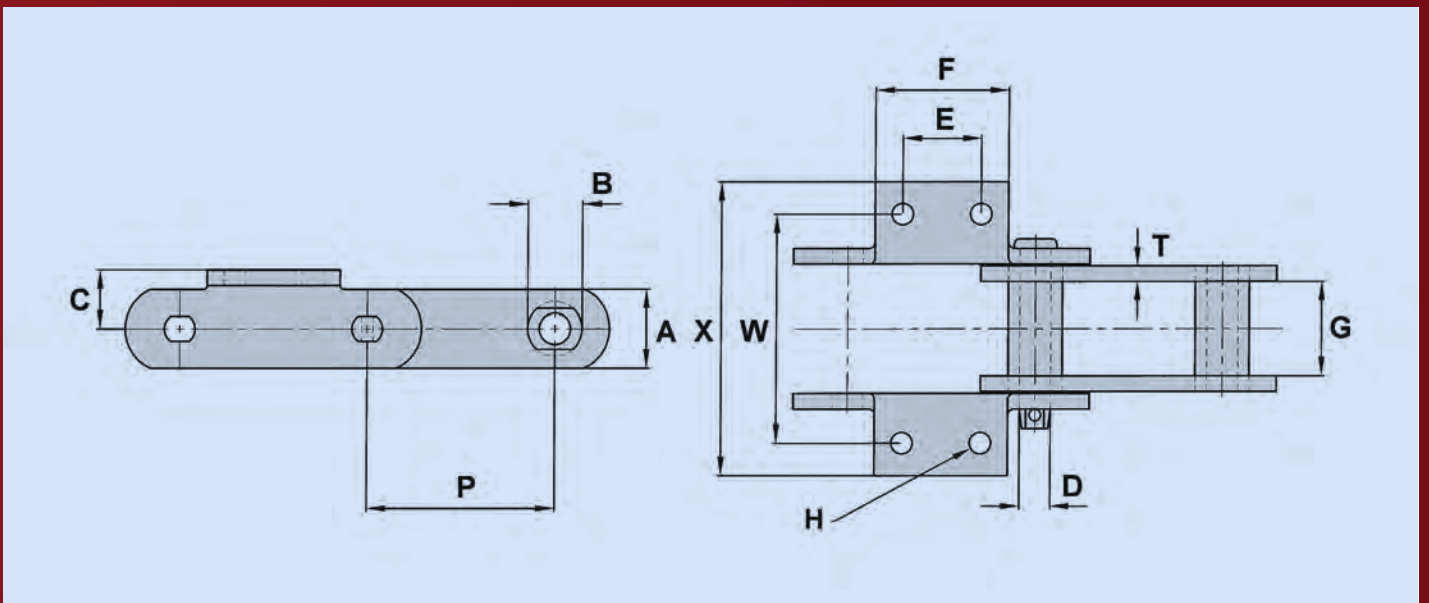
CRANKED SIDE BARS



# K2 ATTACHMENTS

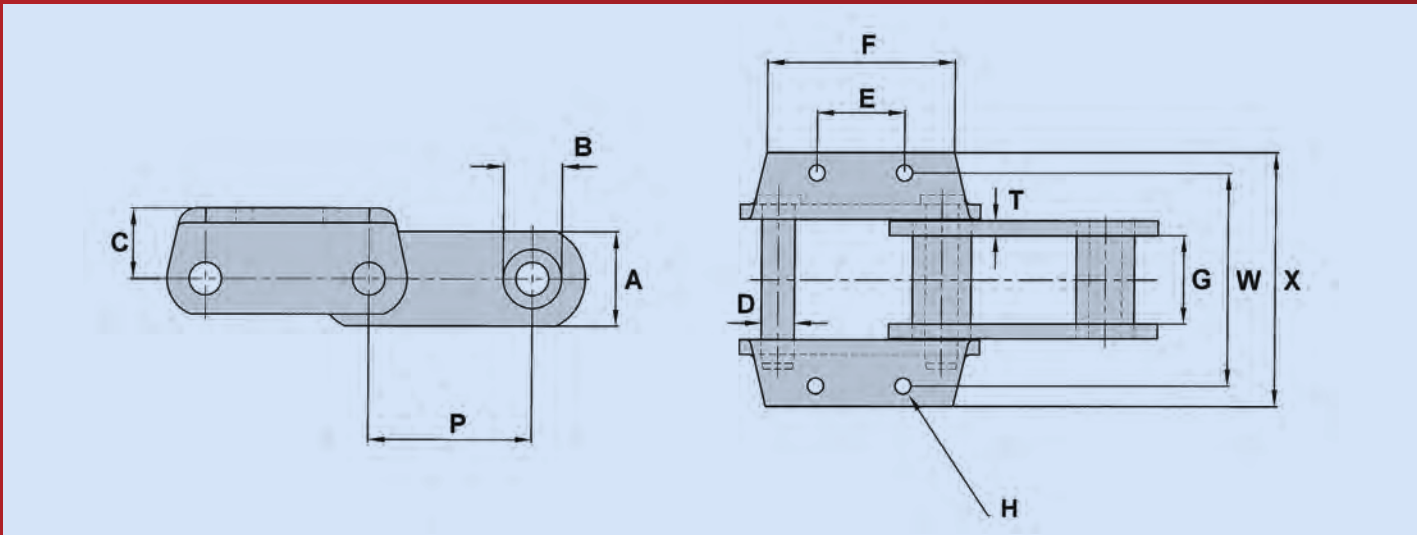


CHAIN No.	Pitch	Allow Load	UTS	Pin Dia.	Sidebar Depth	Max Gearing	Barrel Dia.				Bolt Dia.			
	P			D	A	G	B	C	E	F	H	T	W	X
C69A	12.000	21,000	300,000	1.38	4.00	2.75	2.75	3.00	4.21	6.00	18mm	0.63	8.25	11.22
C84	9.000	17,500	250,000	1.25	3.25	2.87	2.50	3.00	3.00	4.50	16mm	0.56	8.25	11.09



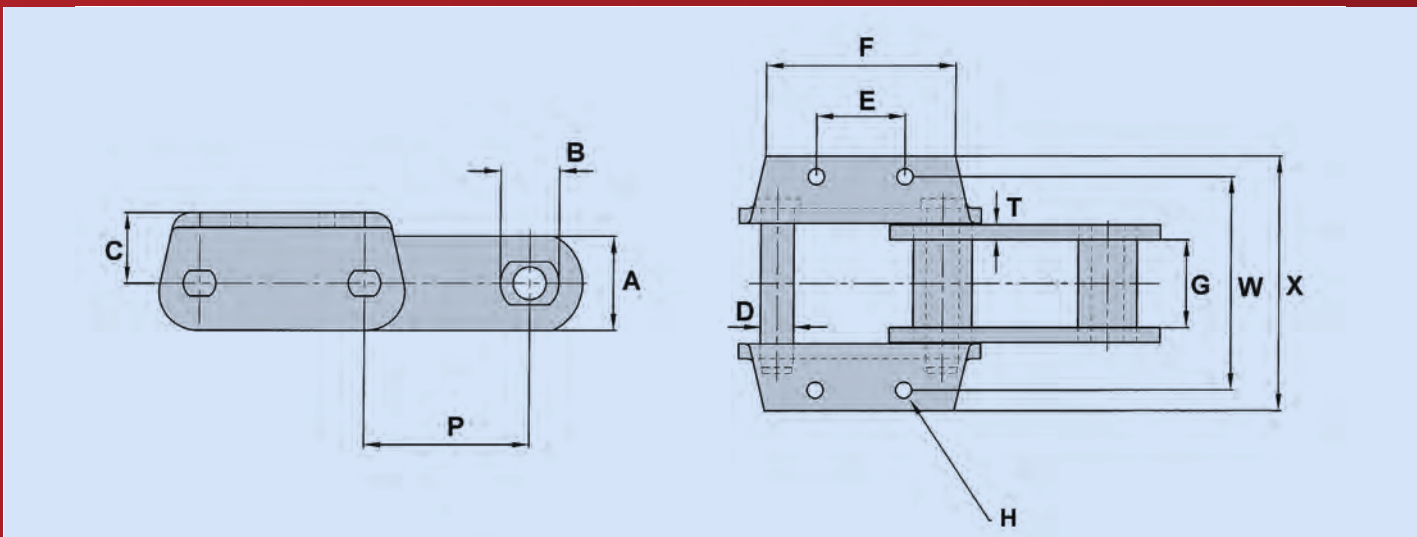
CHAIN No.	Pitch	Allow Load	UTS	Pin Dia.	Sidebar Depth	Max Gearing	Barrel Dia.				Bolt Dia.			
	P			D	A	G	B	C	E	F	H	T	W	X
S856	6.000	14,000	100,000	1.00	2.50	3.00	1.75	1.87	2.50	4.25	0.62	0.50	7.25	9.50
S956 K24	6.000	14,000	97,000	1.00	3.00	2.95	1.75	1.87	2.50	6.91	0.69	0.50	7.25	9.50

# K24 ATTACHMENTS



CHAIN No.	Pitch	Allow Load	UTS	Pin Dia.	Sidebar Depth	Max Gearing	Barrel Dia.				Bolt Dia.			
	P			D	A	G	B	C	E	F	H	T	W	X
S857	6.000	14,000	100,000	1.00	3.25	3.00	1.75	2.50	2.75	6.87	0.62	0.50	7.75	9.25

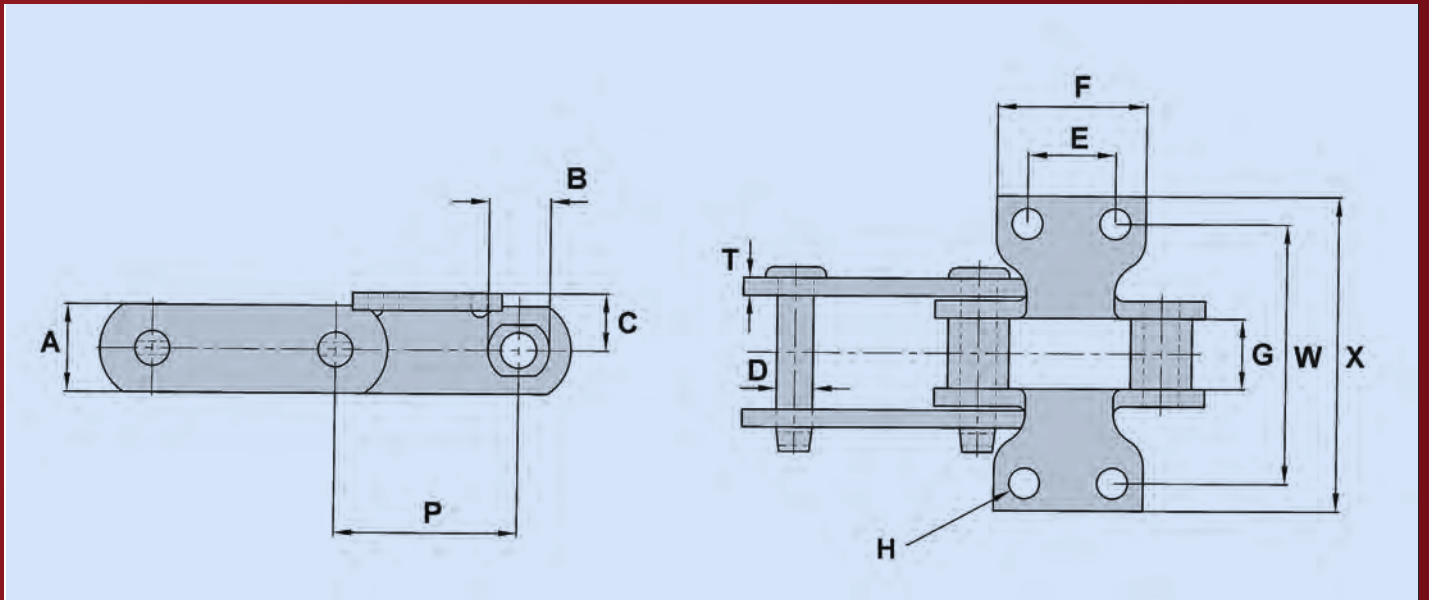
ATTACHMENTS CANNOT BE FITTED CONTINUOUSLY



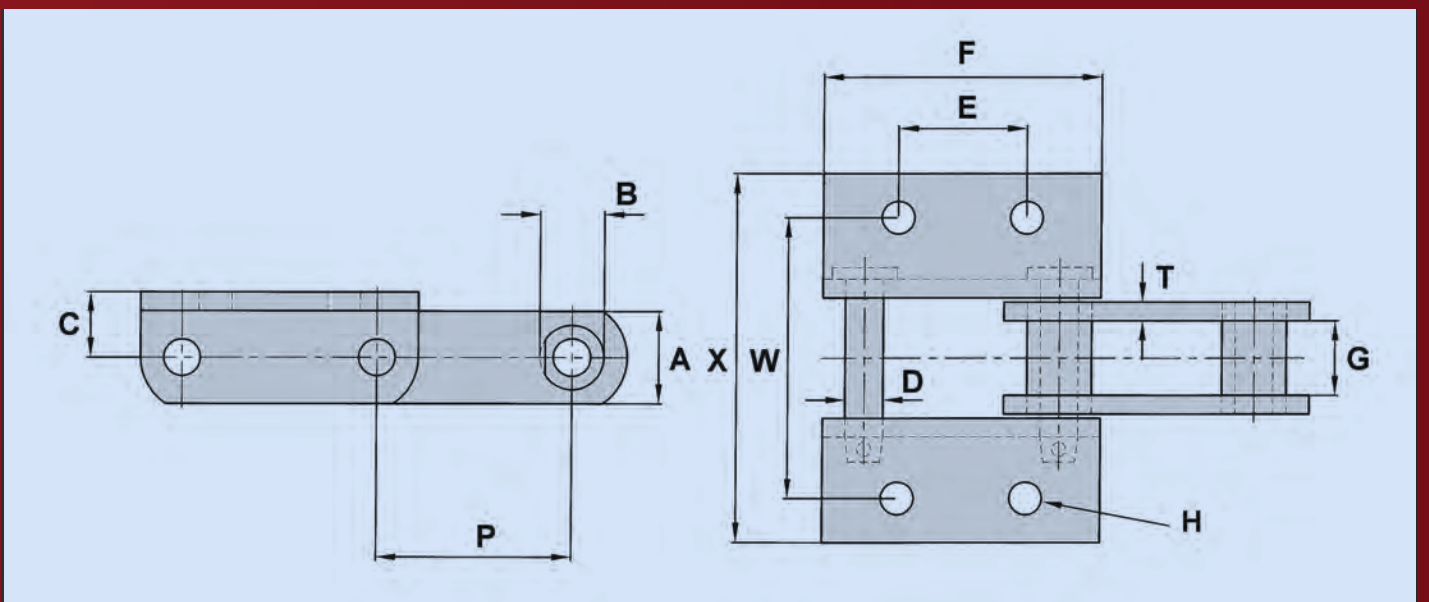
CHAIN No.	Pitch	Allow Load	UTS	Pin Dia.	Sidebar Depth	Max Gearing	Barrel Dia.				Bolt Dia.			
	P			D	A	G	B	C	E	F	H	T	W	X
S856	6.000	14,000	100,000	1.00	2.50	3.00	1.75	1.87	2.50	6.87	0.50	0.50	7.25	9.50

ATTACHMENTS CANNOT BE FITTED CONTINUOUSLY

# K24 ATTACHMENTS

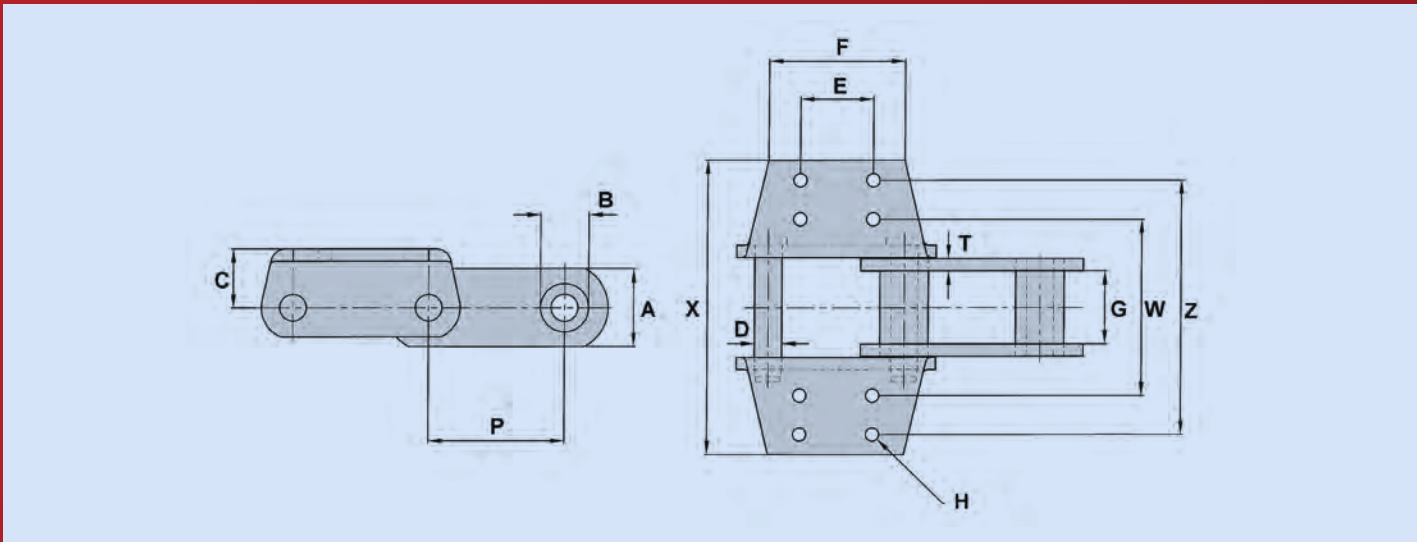


CHAIN No.	Pitch	Allow Load	UTS	Pin Dia.	Sidebar Depth	Max Gearing	Barrel Dia.				Bolt Dia.			
	P			D	A	G	B	C	E	F	H	T	W	X
SS102B	2.609	2,800	25,000	0.50	1.25	1.06	0.88	0.81	1.25	2.13	0.38	0.25	3.75	4.53



CHAIN No.	Pitch	Allow Load	UTS	Pin Dia.	Sidebar Depth	Max Gearing	Barrel Dia.				Bolt Dia.			
	P			D	A	G	B	C	E	F	H	T	W	X
SS102B	4.000	6,300	40,000	0.62	1.50	2.13	1.00	1.00	1.75	5.75	0.38	0.38	5.31	6.66

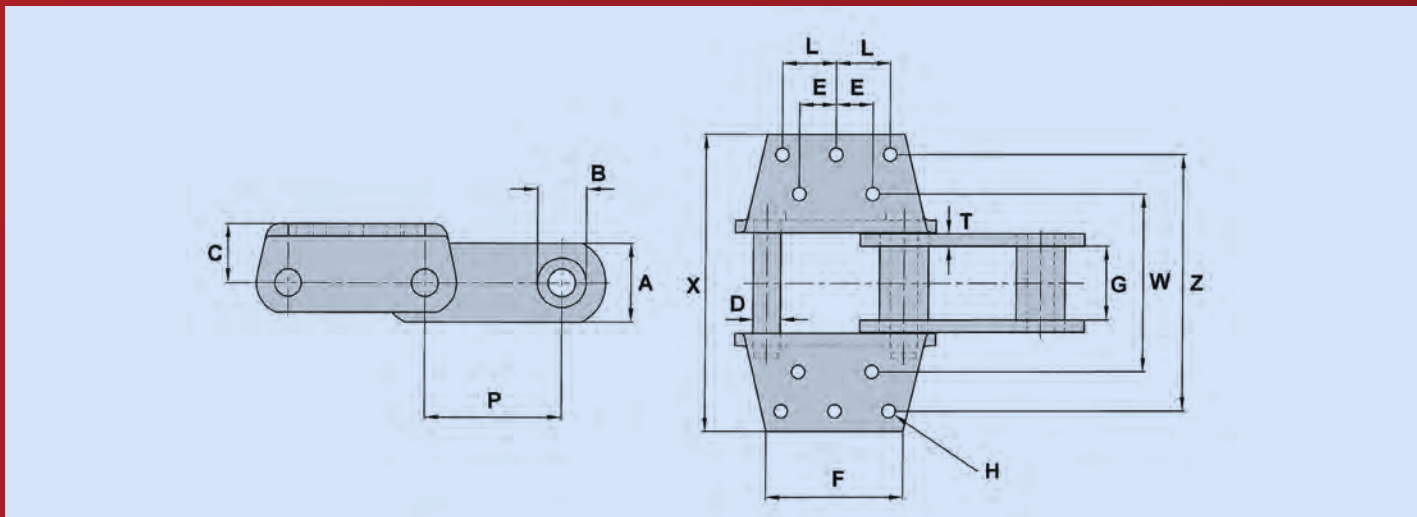
# K44 ATTACHMENTS



CHAIN No.	Pitch	Allow Load	UTS	Pin Dia.	Sidebar Depth	Max Gearing	Barrel Dia.				Bolt Dia.					
	P			D	A	G	B	C	E	F	H	T	W	X	Z	
S857	6.000	14,000	100,000	1.00	3.25	3.00	1.75	2.50	3.50	5.94	0.50	0.50	7.00	14.00	12.00	
S859	6.000	22,000	155,000	1.25	4.00	3.75	2.38	3.00	4.50	6.75	0.63	0.63	9.00	15.00	13.00	
S958	6.000	16,300	97,000	1.13	3.25	3.00	2.00	2.50	3.50	5.75	0.56	0.50	7.00	13.68	12.00	

ATTACHMENTS CANNOT BE FITTED CONTINUOUSLY

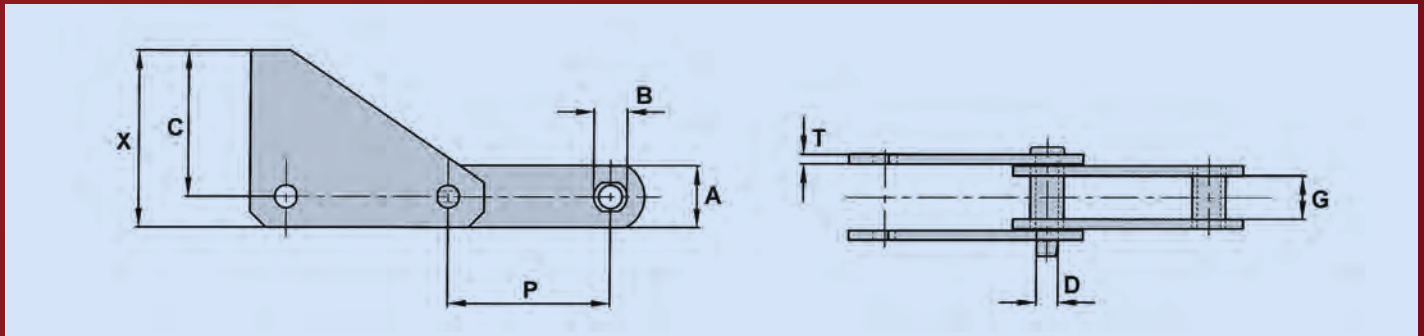
# K443 ATTACHMENTS



CHAIN No.	Pitch	Allow Load	UTS	Pin Dia.	Sidebar Depth	Max Gearing	Barrel Dia.				Bolt Dia.					
	P			D	A	G	B	C	E	F	H	L	T	W	X	Z
S864	7.000	22,000	155,000	1.25	4.00	3.75	2.38	3.00	1.87	7.00	0.62	2.75	0.62	9.00	15.00	13.00
S984	7.000	24,000	325,000	1.38	4.00	3.75	2.50	3.00	1.87	7.00	0.62	2.75	0.62	9.00	15.00	13.00

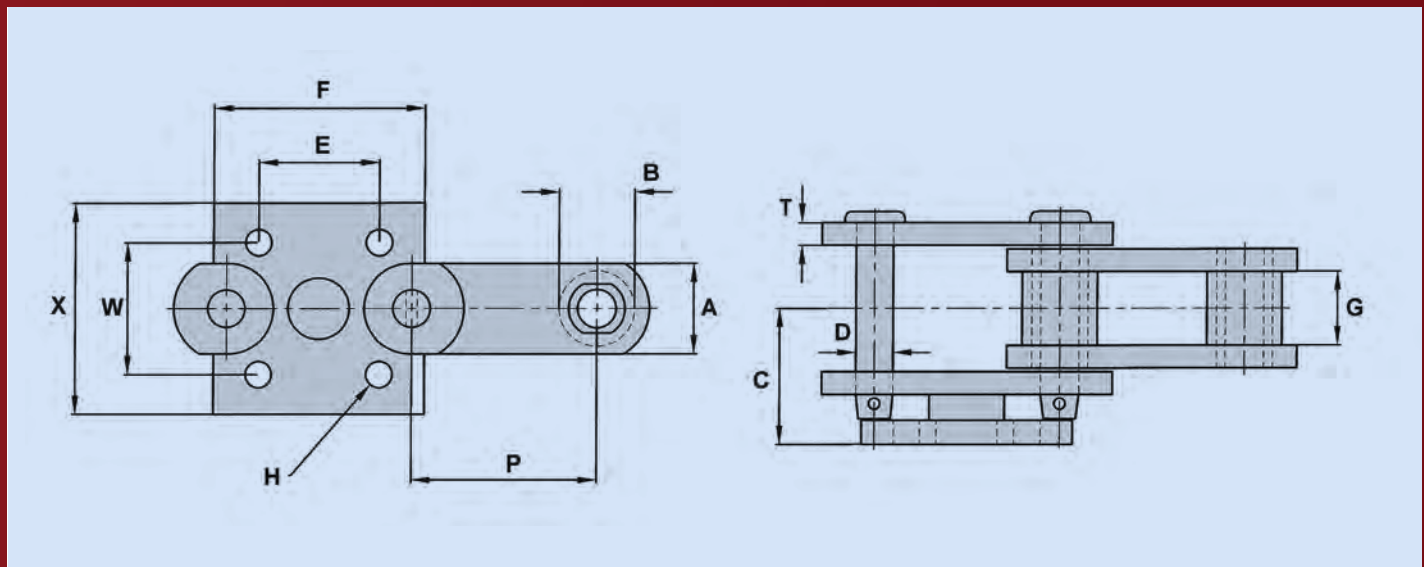
ATTACHMENTS CANNOT BE FITTED CONTINUOUSLY

# S1 ATTACHMENTS



CHAIN No.	Pitch	Allow Load	UTS	Pin Diameter	Sidebar Depth	Maximum Gearing	Bush Diameter			
	P			D	A	G	B	C	T	X
S82	3.075	4,300	35,000	0.62	1.50	1.37	1.19	5.19	0.25	5.94
SS102B	4.000	6,300	40,000	0.62	1.50	2.13	1.00	3.75	0.38	4.50
SS110	6.000	6,300	40,000	0.62	1.50	2.13	1.25	4.25	0.38	5.50
B5298	6.000	6,550	90,000	0.75	2.38	1.55	1.38	5.00	0.38	6.19
B5143	135MM	5,575	55,000	0.75	2.00	1.50	1.10	4.88	0.31	5.88

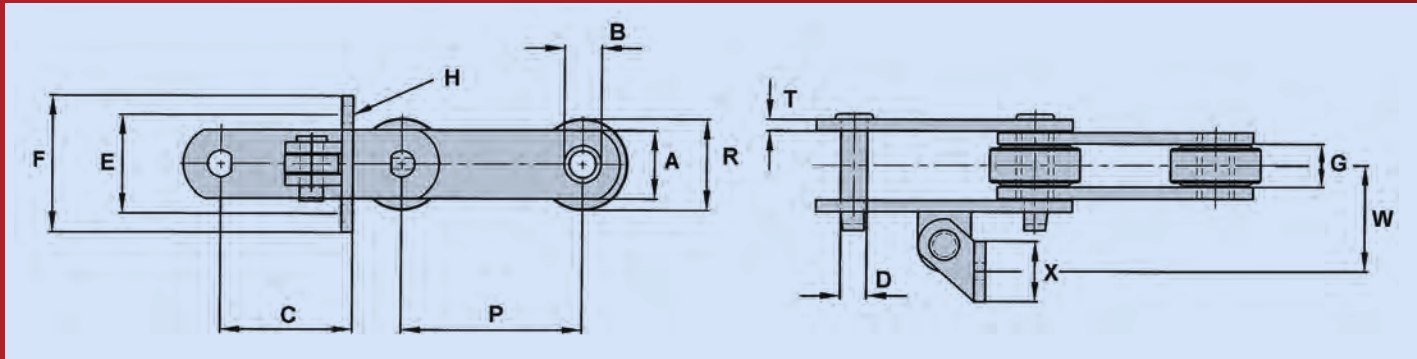
# G20 ATTACHMENTS



CHAIN No.	Pitch	Allow Load	UTS	Pin Dia.	Sidebar Depth	Max Gearing	Barrel Dia.						
	P			D	A	G	B	C	E	F	H	W	X
SS131	3.075	4,500	40,000	0.62	1.50	1.31	1.25	2.25	2.00	3.50	0.38	2.19	3.50

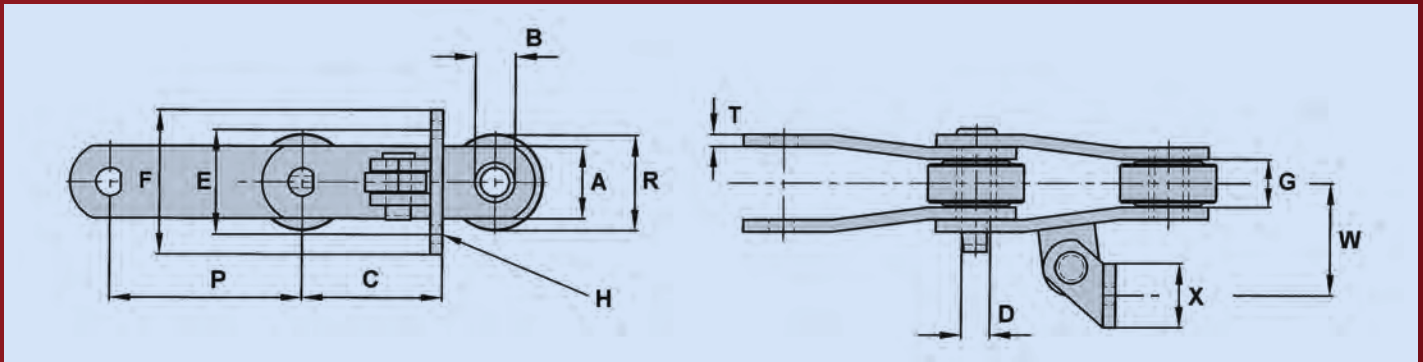
# STEEL ROLLER CHAINS

## AS2 ATTACHMENTS



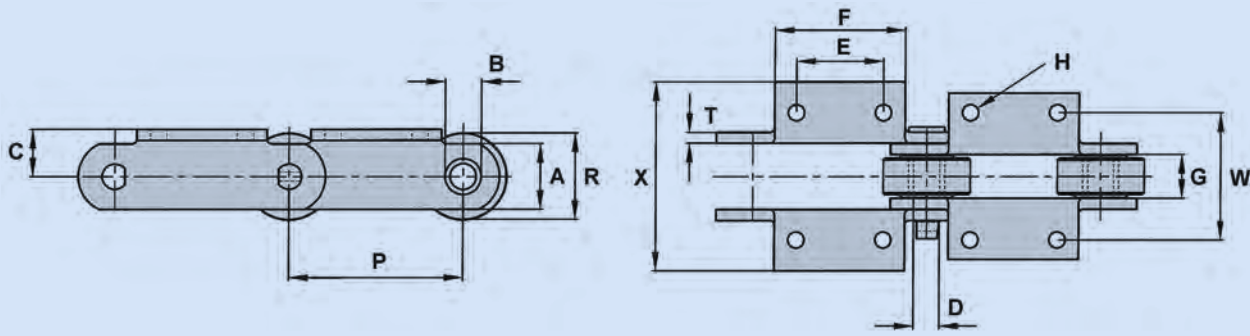
CHAIN No.	Pitch	Allow Load	UTS	Pin Dia.	Roller Dia.	Sidebar Depth	Max. Gearing	Bush Dia.				Bolt Dia.			
	P			D	R	A	G	B	C	E	F	H	T	W	X
0904	4.000	4,850	40,000	0.69	2.00	1.75	1.22	1.00	3.13	3.25	4.25	0.38	0.31	3.06	1.75
B5294	6.000	5,740	49,000	0.75	2.75	2.00	1.69	1.13	5.63	3.50	5.00	0.50	0.25	4.72	2.00
B5264	6.000	5,250	60,000	0.75	3.00	2.00	1.37	1.13	5.63	3.50	5.00	0.50	0.31	3.63	2.00
B5259	6.000	6,300	100,000	0.75	3.00	2.00	1.50	1.13	4.38	3.25	4.50	0.50	0.38	3.63	2.00
09060	6.000	6,350	60,000	0.75	2.75	2.00	1.50	1.13	4.38	3.25	4.50	0.50	0.38	3.50	2.00
D0906	6.000	6,350	60,000	0.75	2.75	2.00	1.50	1.13	4.38	3.25	4.50	0.50	0.38	3.50	2.00
09061	6.000	6,350	85,000	0.75	2.75	2.25	1.50	1.13	4.38	3.25	4.50	0.50	0.38	3.50	2.00
1796	6.000	7,500	100,000	0.87	2.75	2.25	1.50	1.25	4.38	3.25	4.50	0.50	0.38	3.50	2.00
B5269	6.000	7,500	175,000	0.87	2.75	2.25	1.50	1.25	5.63	3.50	5.00	0.50	0.38	3.75	2.00
SS2198	6.000	7,650	100,000	0.87	2.75	2.25	1.50	1.25	5.63	3.50	5.00	0.50	0.50	3.88	2.00
B5293	6.000	8,300	140,000	0.94	3.00	2.44	1.50	1.25	5.63	3.50	5.00	0.50	0.41	3.94	2.00
09063	6.000	8,300	140,000	0.94	3.00	2.38	1.50	1.25	5.63	3.50	5.00	0.50	0.41	3.94	2.00
A2198	6.000	8,400	100,000	0.87	3.00	2.38	1.53	1.25	5.63	3.50	5.00	0.50	0.50	3.91	2.00
B5256	6.000	8,970	117,000	1.00	75MM	2.50	1.81	1.50	5.56	5.50	7.25	0.75	0.38	3.63	2.36
09065	6.000	9,275	160,000	1.06	3.00	2.38	1.50	1.50	4.38	3.31	4.50	0.50	0.50	3.61	1.94
B5276	6.050	5,900	60,000	0.75	2.63	2.00	1.38	1.13	4.40	3.25	4.50	0.50	0.38	3.38	2.00
B5267	6.060	7,200	50,000	1.00	3.00	2.25	1.31	1.50	4.41	3.25	4.50	0.50	0.38	3.41	2.00
B5509	9.000	7,500	100,000	0.87	3.00	2.25	1.50	1.25	7.13	3.50	5.00	0.50	0.38	4.12	2.00

# AS2 ATTACHMENTS



CHAIN No.	Pitch	Allow Load	UTS	Pin Dia.	Roller Dia.	Sidebar Depth	Max. Gearing	Bush Dia.				Bolt Dia.			
	P			D	R	A	G	B	C	E	F	H	T	W	X
0904	4.000	4,850	40,000	0.69	2.00	1.75	1.22	1.00	3.13	3.25	4.25	0.38	0.31	3.06	1.75
B5096	4.020	4,685	35,000	0.69	2.00	1.50	1.31	1.00	3.15	3.25	4.25	0.38	0.31	2.75	1.75
09060	6.000	6,350	60,000	0.75	2.75	2.00	1.50	1.13	4.38	3.25	4.50	0.50	0.38	3.50	2.00
09061	6.000	6,350	85,000	0.75	2.75	2.25	1.50	1.13	4.38	3.25	4.50	0.50	0.38	3.50	2.00
B5280	6.000	6,700	55,000	0.87	3.00	2.00	1.44	1.25	5.63	3.50	5.00	0.50	0.38	3.63	2.00
B5234	6.000	7,100	80,000	0.87	3.00	2.00	1.37	1.25	5.63	3.50	5.00	0.50	0.38	3.63	2.00
B5311	6.000	7,100	80,000	0.87	3.00	2.00	1.38	1.25	5.63	3.50	5.00	0.50	0.38	3.63	2.00
D2184	6.000	7,100	80,000	0.87	3.00	2.00	1.38	1.25	5.63	3.50	5.00	0.50	0.38	3.63	2.00
DN2184	6.000	7,100	80,000	0.87	3.00	2.00	1.38	1.25	5.63	3.50	5.00	0.50	0.38	3.63	2.00
1796	6.000	7,500	100,000	0.87	2.75	2.25	1.50	1.25	4.38	3.25	4.50	0.50	0.38	3.50	2.00
SS2198	6.000	7,650	100,000	0.87	2.75	2.25	1.50	1.25	5.63	3.50	5.00	0.50	0.50	3.88	2.00
09063	6.000	8,300	140,000	0.94	3.00	2.38	1.50	1.25	5.63	3.50	5.00	0.50	0.41	3.94	2.00
9184	6.000	8,500	175,000	0.94	3.00	2.50	1.56	1.38	5.63	3.50	5.00	0.50	0.50	3.91	2.00
9185	6.000	8,500	175,000	0.94	3.50	2.50	1.56	1.38	5.63	3.50	5.00	0.50	0.50	3.91	2.00
F9184	6.000	8,500	175,000	0.94	3.00	2.50	1.56	1.38	5.63	3.50	5.00	0.50	0.50	3.91	2.00
SS2186	6.000	9,500	175,000	1.00	3.50	2.50	1.50	1.38	5.63	3.50	5.00	0.50	0.50	3.63	2.00
B5313	6.000	10,550	140,000	1.16	3.00	2.50	1.58	1.50	5.63	3.50	5.00	0.50	0.50	4.00	2.00
B5276	6.050	5,900	60,000	0.75	2.63	2.00	1.38	1.00	4.40	3.25	4.50	0.50	0.38	3.38	2.00
8184	8.000	10,700	167,000	1.00	3.50	2.75	1.81	1.50	6.63	3.50	5.00	0.50	0.50	4.22	2.00
B5509	9.000	7,500	100,000	0.88	3.50	2.25	1.50	1.25	7.13	3.50	5.00	0.50	0.38	4.13	2.00

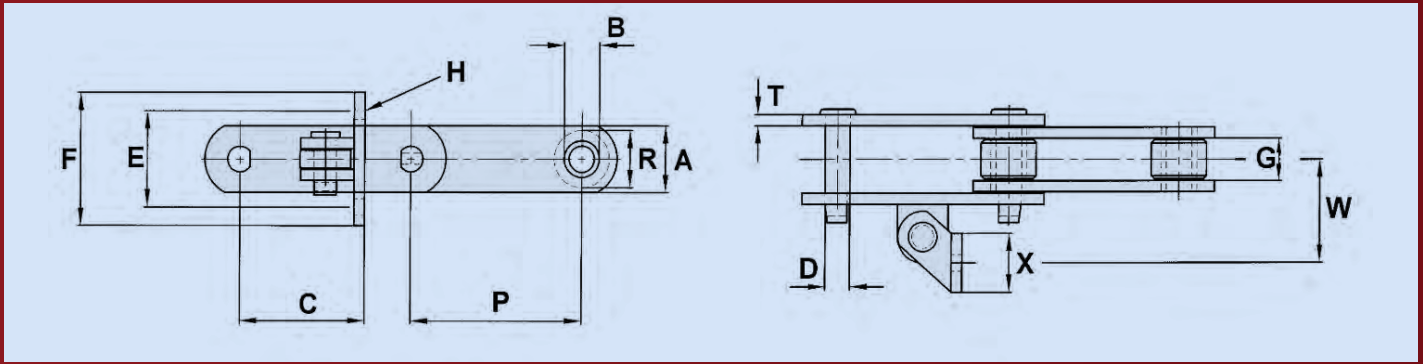
# K2 ATTACHMENTS



CHAIN No.	Pitch	Allow Load	UTS	Pin Dia.	Roller Dia.	Sidebar Depth	Max. Gearing	Bush Dia.				Bolt Dia.			
	P			D	R	A	G	B	C	E	F	H	T	W	X
0904	4.000	4,850	40,000	0.69	2.00	1.75	1.22	1.00	1.25	1.44	2.63	0.38	0.31	3.50	4.13
B5257	6.000	5,375	50,000	0.69	3.00	1.75	1.44	1.00	1.63	2.36	4.00	0.55	0.31	4.72	7.13
09060	6.000	6,350	60,000	0.75	2.75	2.00	1.50	1.13	1.63	3.00	4.50	0.50	0.38	4.38	6.75
B5238	6.000	6,350	70,000	0.75	3.00	2.20	1.50	1.13	1.63	3.00	4.92	0.50	0.38	4.16	5.50
SS996	6.000	6,350	70,000	0.75	2.75	2.00	1.50	1.13	1.63	3.00	5.50	0.50	0.38	4.38	5.88
09061	6.000	6,350	85,000	0.75	2.75	2.25	1.50	1.13	1.63	3.00	4.50	0.50	0.38	4.38	6.50
B5259	6.000	6,300	100,000	0.75	3.00	2.00	1.50	1.13	1.63	2.36	4.50	0.55	0.38	4.72	6.75
B5255	6.000	7,450	100,000	0.88	3.00	2.25	1.69	1.25	1.63	2.36	4.50	0.50	0.38	4.92	6.40
1796	6.000	7,500	100,000	0.87	2.75	2.25	1.50	1.25	1.63	3.00	4.50	0.50	0.38	4.38	6.50
B5263	6.000	7,500	100,000	0.88	2.75	2.19	1.50	1.25	1.63	3.00	5.50	0.50	0.38	4.38	5.88
B5282	6.000	7,500	100,000	0.88	3.50	2.25	1.50	1.25	2.13	3.00	4.50	0.50	0.38	4.82	7.00
B5316	6.000	7,500	100,000	0.86	2.75	2.25	1.50	1.30	1.75	2.36	4.50	0.50	0.50	5.13	6.82
LB960	6.000	7,500	100,000	0.86	2.75	2.25	1.50	1.30	1.63	3.00	4.38	0.50	0.50	4.38	5.94
SS960	6.000	7,500	100,000	0.86	2.75	2.25	1.50	1.30	1.63	3.00	4.38	0.50	0.50	4.38	5.94
SS2198	6.000	7,650	100,000	0.87	2.75	2.25	1.50	1.25	1.63	3.00	4.50	0.50	0.50	4.38	5.94
B5310	6.000	8,300	100,000	0.88	3.00	2.25	1.75	1.38	1.63	2.63	4.50	0.50	0.38	4.92	6.75
A2198	6.000	8,400	100,000	0.87	3.00	2.38	1.53	1.25	1.69	3.00	4.38	0.50	0.50	4.38	5.88
B5260	6.000	10,200	130,000	0.97	3.38	2.81	2.19	1.38	1.84	2.20	3.69	0.50	0.38	6.10	5.13
B5284	6.000	7,350	138,000	0.94	3.00	2.44	1.50	1.31	1.75	3.00	4.50	0.50	0.38	4.38	6.50
2047	6.000	7,800	140,000	0.94	3.00	2.50	1.63	1.38	1.75	3.00	4.50	0.50	0.38	4.38	6.16
09063	6.000	8,300	140,000	0.94	3.00	2.38	1.50	1.25	1.75	3.00	4.50	0.50	0.41	4.38	6.50
B09063	6.000	8,300	140,000	0.94	3.00	2.38	1.50	1.43	1.75	3.00	4.50	0.50	0.41	4.38	6.50
B5293	6.000	8,300	140,000	0.94	3.00	2.44	1.50	1.25	1.75	3.00	4.50	0.50	0.41	4.38	6.50
09065	6.000	9,275	160,000	1.06	3.00	2.38	1.50	1.50	1.69	3.00	4.38	0.50	0.50	4.38	5.88
B5249	6.000	10,700	167,000	1.00	3.00	2.50	1.81	1.50	2.00	2.50	4.50	0.50	0.50	5.13	6.75
B5269	6.000	7,500	175,000	0.88	2.75	2.25	1.50	1.25	2.00	3.00	4.50	0.50	0.38	4.38	6.53
B5304	6.300	5,800	70,000	0.75	90mm	2.19	1.75	1.13	1.25	3.13	4.00	10mm	0.25	4.40	5.40
B5455	8.000	10,700	150,000	1.00	3.50	2.81	1.81	1.50	2.19	3.25	6.00	0.69	0.50	5.19	7.25
B5456	8.000	10,700	150,000	1.00	3.50	2.88	1.81	1.50	2.19	3.25	5.00	0.50	0.50	5.78	7.44
B5457	8.000	10,700	150,000	1.00	3.50	2.88	1.81	1.50	2.19	3.25	5.00	0.63	0.50	5.19	6.80
SS800R	8.000	10,700	167,000	1.00	3.50	2.81	1.81	1.50	2.19	4.50	2.00	0.63	0.50	5.19	7.25
B5458	8.000	15,900	286,500	1.30	4.50	3.50	2.25	1.81	3.00	3.25	6.00	0.63	0.63	8.00	10.38
B5508	9.000	6,350	85,000	0.75	3.00	2.25	1.50	1.13	1.63	3.00	5.38	0.50	0.38	4.38	6.50
B5501	9.000	7,500	100,000	0.88	3.50	2.25	1.50	1.38	2.00	3.50	5.38	0.63	0.38	5.75	8.02
B5509	9.000	7,500	100,000	0.88	3.00	2.25	1.50	1.25	2.00	3.50	5.38	0.63	0.38	5.75	8.02
B5499	9.000	9,000	125,000	1.00	3.63	2.75	1.63	1.50	2.50	4.50	6.00	0.63	0.50	6.19	7.69
B5513	9.000	16,000	180,000	1.25	4.25	2.75	2.40	1.75	2.21	3.00	6.00	0.75	0.63	8.00	11.56
C2614	12.000	19,000	140,000	1.25	2.50	3.50	2.75	1.75	2.75	6.00	8.00	0.63	0.63	8.00	10.15

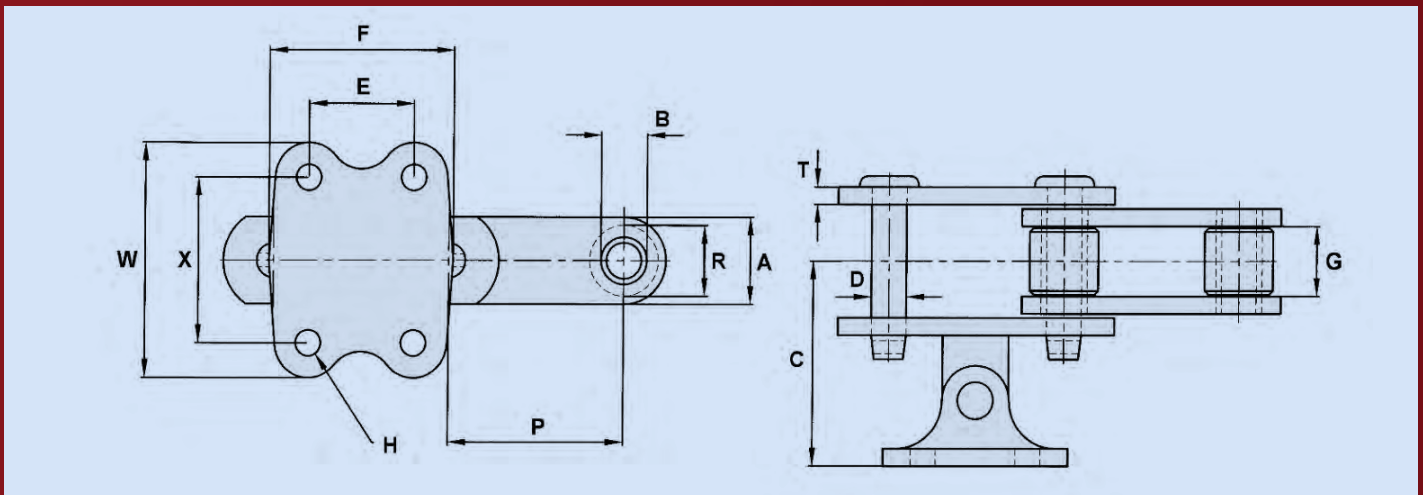


# AS2 ATTACHMENTS - SHELL ROLLER



CHAIN No.	Pitch	Allow Load	UTS	Pin Dia.	Roller Dia.	Sidebar Depth	Max. Gearing	Bush Dia.				Bolt Dia.			
	P			D	R	A	G	B	C	E	F	H	T	W	X
0904E	4	4,850	40,000	0.69	1.25	1.75	1.22	1.0	3.13	3.25	4.25	0.38	0.31	3.06	1.75
09060E	6.000	6,350	60,000	0.75	1.63	2.00	1.50	1.13	4.375	3.25	4.50	0.50	0.38	3.50	2.00
09061E	6.000	6,351	85,000	0.75	1.63	2.25	1.437	1.13	4.375	3.25	4.50	0.50	0.38	3.50	2.00
1796E	6.000	7,500	100,000	0.87	1.63	2.25	1.50	1.25	4.375	3.25	4.50	0.50	0.38	3.50	2.00
B5509E	9.000	7,500	100,000	0.87	3.00	2.25	1.50	1.25	5.875	3.25	4.50	0.50	0.38	3.50	2.00

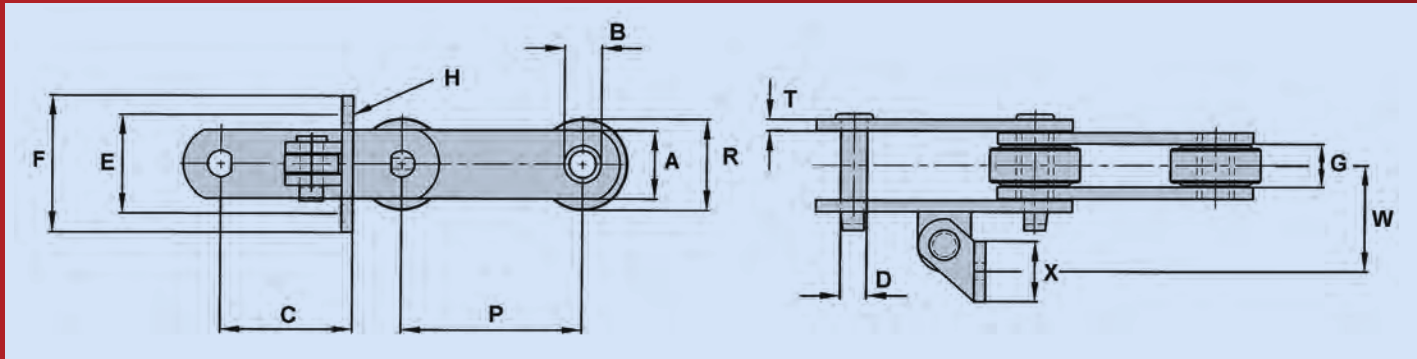
# AS20 ATTACHMENTS



CHAIN No.	Pitch	Allow Load	UTS	Pin Dia.	Roller Dia.	Sidebar Depth	Max. Gearing	Bush Dia.				Bolt Dia.			
	P			D	R	A	G	B	C	E	F	H	T	W	X
0904E	4	4,850	40,000	0.69	1.25	1.75	1.22	1.0	3.13	3.25	4.25	0.38	0.31	3.06	1.75
09060E	6.000	6,350	60,000	0.75	1.63	2.00	1.50	1.13	4.375	3.25	4.50	0.50	0.38	3.50	2.00
09061E	6.000	6,351	85,000	0.75	1.63	2.25	1.437	1.13	4.375	3.25	4.50	0.50	0.38	3.50	2.00
1796E	6.000	7,500	100,000	0.87	1.63	2.25	1.50	1.25	4.375	3.25	4.50	0.50	0.38	3.50	2.00

# STEEL ROLLER CHAINS (SHELL)

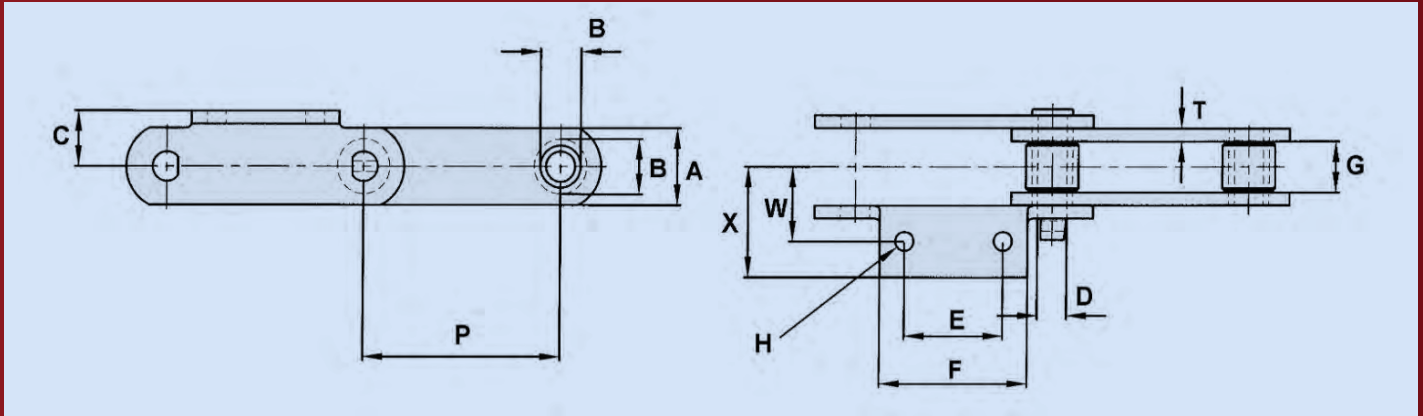
## K2 ATTACHMENTS



CHAIN No.	Pitch	Allow Load	UTS	Pin Dia.	Roller Dia.	Sidebar Depth	Max. Gearing	Bush Dia.				Bolt Dia.			
	P			D	R	A	G	B	C	E	F	H	T	W	X
SS39	3.075	4,650	48,000	0.625	1.25	1.50	1.437	0.87	1.25	1.875	4.953	0.31	0.312	2	2.593
0904E	4.000	4,850	40,000	0.69	1.25	1.75	1.22	1.00	1.25	1.44	2.63	0.38	0.31	3.50	4.13
B5246	6.000	6,350	40,000	0.63	1.50	1.50	2.13	1.00	1.00	1.75	2.88	0.38	0.38	5.31	6.66
09060E	6.000	6,350	60,000	0.75	1.63	2.00	1.50	1.13	1.63	3.00	4.50	0.50	0.38	4.38	6.75
09061E	6.000	6,351	85,000	0.75	1.63	2.25	1.437	1.13	1.625	3.00	4.50	0.50	0.375	4.38	6.50
1796E	6.000	7,500	100,000	0.875	1.63	2.25	1.437	1.25	1.625	3.00	4.50	0.50	0.375	4.38	6.50
B5231*	6.000	6,350	60,000	0.75	1.63	2.00	1.50	1.13	1.63	1.50	4.50	0.50	0.38	4.13	6.75
B5247	6.000	7,850	60,000	0.75	1.63	2	2.25	1.13	1.63	2.75	4.50	0.63	0.38	5.38	7.50
B5509E	9.000	7,500	100,000	0.875	1.63	2.25	1.437	1.25	2.000	3.5	5.38	0.63	0.375	5.75	8.00

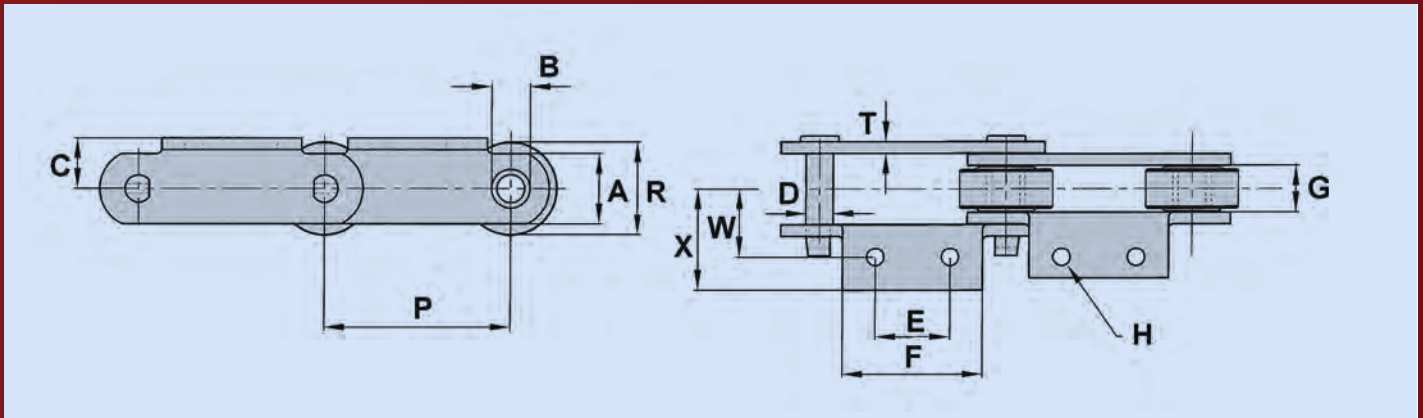
\*SUPPLIED WITH ATTACHMENTS ON OUTER SIDEBARS ONLY

# A2 ATTACHMENTS



CHAIN No.	Pitch	Allow Load	UTS	Pin Dia.	Roller Dia.	Sidebar Depth	Max. Gearing	Bush Dia.				Bolt Dia.			
	P			D	R	A	G	B	C	E	F	H	T	W	X
SS39	3.075	4,650	48,000	0.625	1.25	1.50	1.437	0.87	1.25	1.875	4.953	0.31	0.312	2	2.593
0904E	4.000	4,850	40,000	0.69	1.25	1.75	1.22	1.00	1.25	1.44	2.675	0.38	0.31	1.75	2.703
1422R	4.000	4,150	25,000	0.625	1.25	1.50	2.062	0.88	1.062	1.75	3.00	0.38	0.312	2.687	3.50
SS542	6.000	4,150	25,000	0.625	1.25	1.50	2.062	0.88	1.00	1.75	3.00	0.50	0.312	2.687	3.50
09060E	6.000	6,351	60,000	0.75	1.63	2.00	1.437	1.13	1.625	3.00	4.50	0.50	0.375	2.187	3.38
09061E	6.000	6,351	85,000	0.75	1.63	2.25	1.437	1.13	1.625	3.00	4.50	0.50	0.375	2.187	3.25
1796E	6.000	7,500	100,000	0.875	1.63	2.25	1.437	1.25	1.625	3.00	4.50	0.50	0.375	2.187	3.25

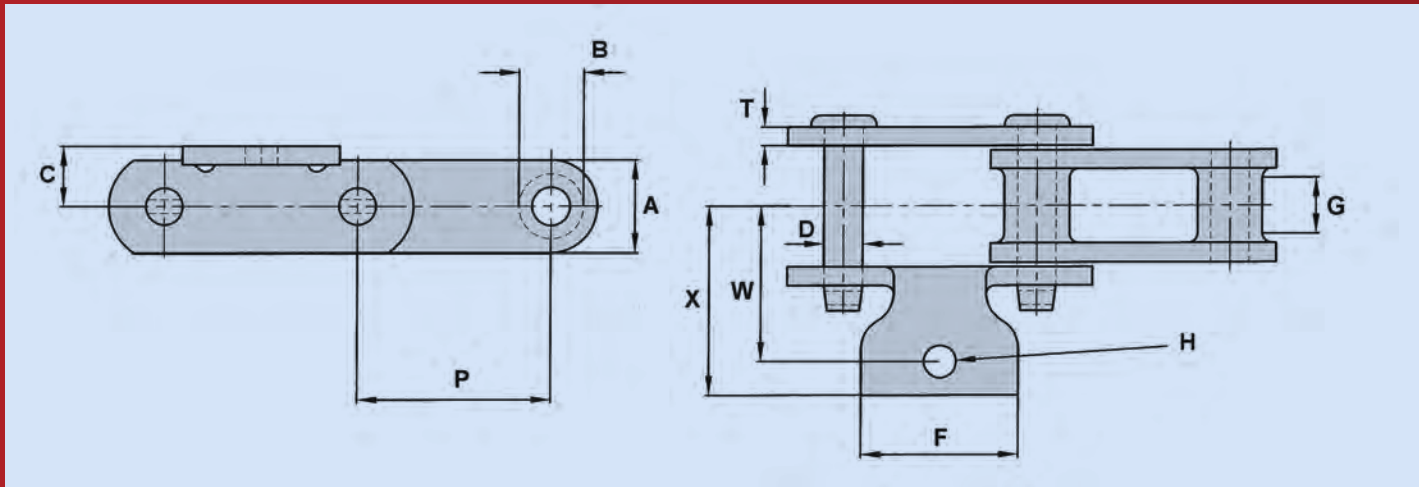
# A2 ATTACHMENTS - STANDARD ROLLER



CHAIN No.	Pitch	Allow Load	UTS	Pin Dia.	Roller Dia.	Sidebar Depth	Max. Gearing	Bush Dia.				Bolt Dia.			
	P			D	R	A	G	B	C	E	F	H	T	W	X
0904	4.000	4,850	40,000	0.69	2	1.75	1.22	1.00	1.25	1.44	2.675	0.38	0.31	1.75	2.703
B5120	5.000	3,725	35,000	0.63	75mm	1.88	1.20	0.87	1.09	2.48	3.87	M16	0.25	2.05	3.03
B5292	6.000	4,000	40,000	0.63	2.50	1.50	1.19	0.87	1.25	2.13	3.25	0.38	0.31	2.16	2.83
09060	6.000	6,350	60,000	0.75	2.75	2.00	1.50	1.13	1.63	3.00	4.50	0.50	0.38	2.19	3.38
09061	6.000	6,351	85,000	0.75	2.75	2.25	1.437	1.13	1.625	3.00	4.50	0.50	0.375	2.187	3.25
1796	6.000	7,500	100,000	0.875	2.75	2.25	1.437	1.25	1.625	3.00	4.50	0.50	0.375	2.187	3.25
B5509	9.000	7,500	100,000	0.875	3.00	2.25	1.437	1.25	2.000	3.5	5.38	0.63	0.375	2.875	4.00

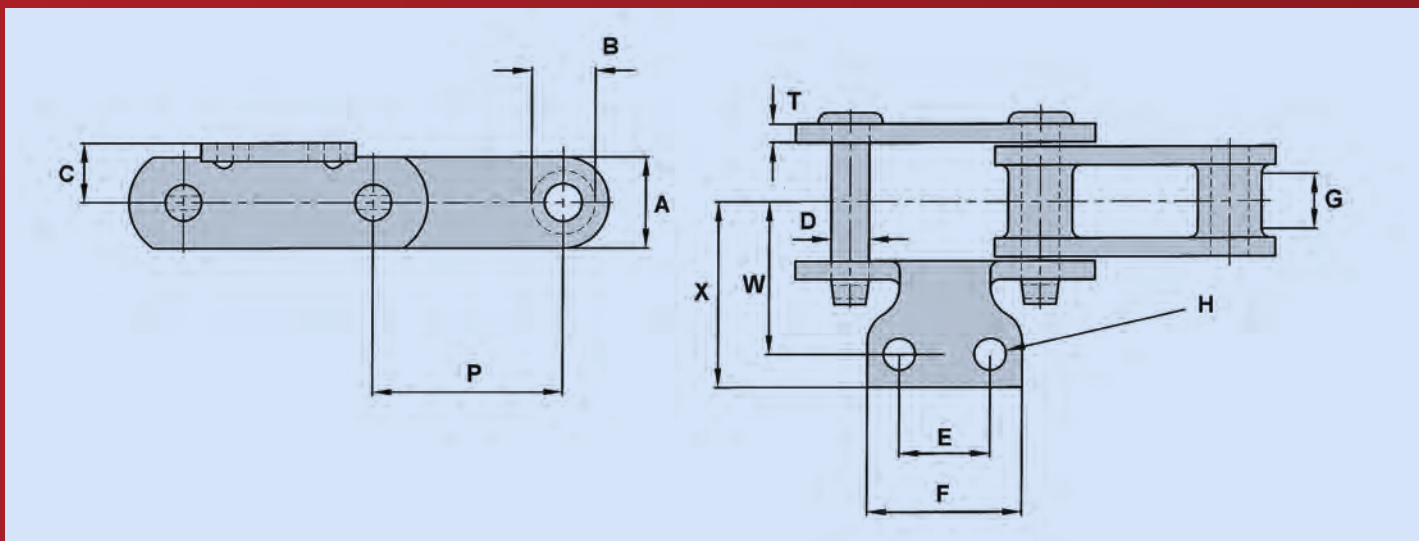
# COMBINATION CHAINS

## A1 ATTACHMENTS



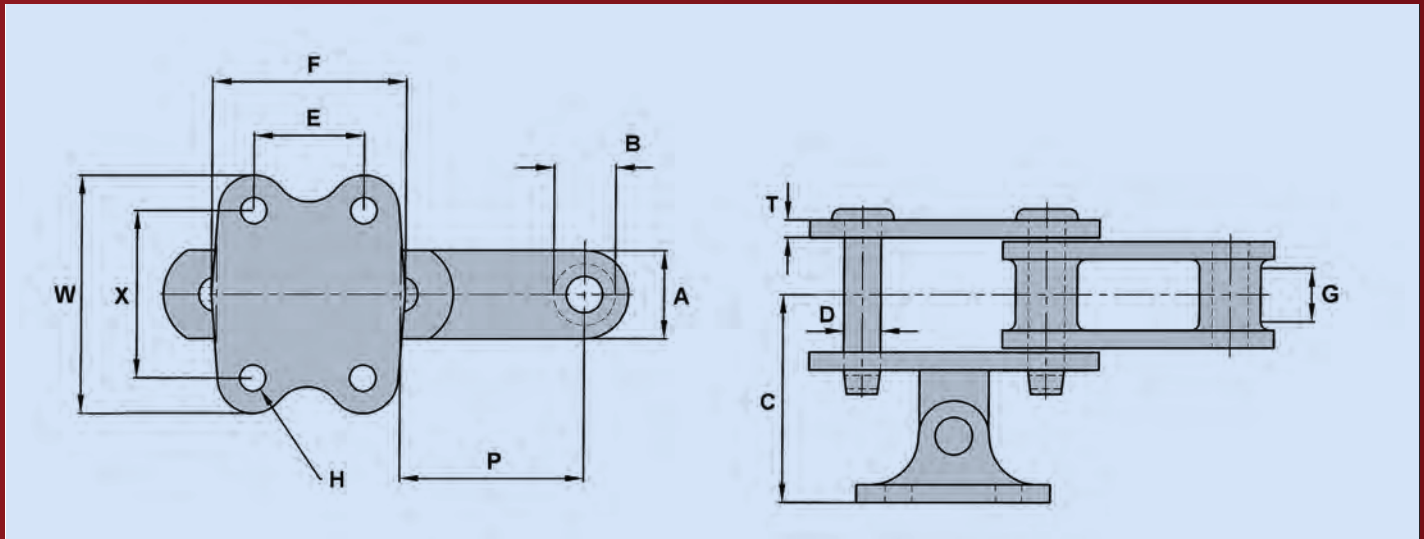
CHAIN No.	Pitch	Allow Load	UTS	Pin Dia.	Sidebar Depth	Max. Gearing	Bush Dia.			Bolt Dia.			
	P			D	A	G	B	C	F	H	T	W	X
C188	2.609	2,000	17,500	0.50	1.25	0.75	0.87	0.81	2.13	0.38	0.25	1.88	2.56

## A2 ATTACHMENTS



CHAIN No.	Pitch	Allow Load	UTS	Pin Dia.	Sidebar Depth	Max. Gearing	Bush Dia.			Bolt Dia.				
	P			D	A	G	B	C	E	F	H	T	W	X
C188	2.609	2,000	17,500	0.50	1.25	0.75	0.87	0.81	1.25	2.13	0.38	0.25	2.09	2.56
C131	3.075	3,220	27,500	0.62	1.50	1.13	1.25	1.00	1.50	2.63	0.50	0.38	2.06	2.63
C102B	4.000	4,200	27,500	0.62	1.50	1.75	1.00	1.00	1.75	2.69	0.38	0.38	2.66	3.33

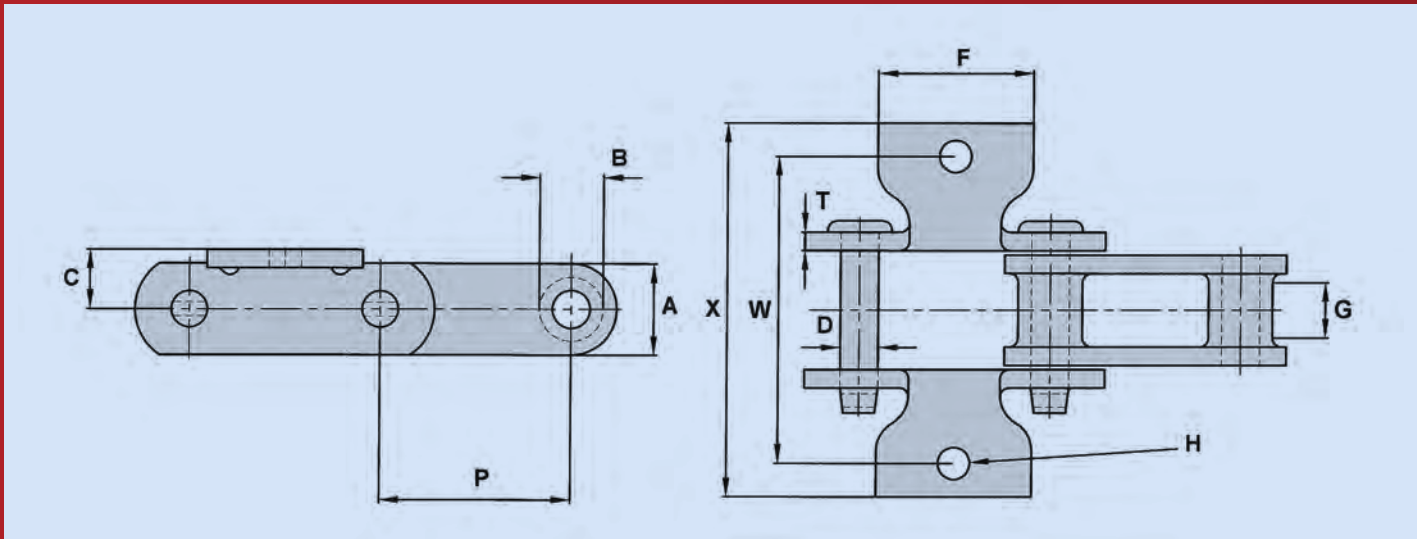
# AS20 ATTACHMENTS



CHAIN No.	Pitch	Allow Load	UTS	Pin Dia.	Sidebar Depth	Max. Gearing	Bush Dia.				Bolt Dia.		
	P			D	A	G	B	C	E	F	H	W	X
C188	2.609	2,000	17,500	0.50	1.25	0.75	0.87	2.94	1.56	2.75	0.31	3.19	2.19
C131	3.075	3,220	27,500	0.62	1.50	1.13	1.25	3.47	1.69	3.13	0.31	3.50	2.44
C102B	4.000	4,200	27,500	0.62	1.50	1.75	1.00	3.89	1.69	3.13	0.31	3.50	2.44
C111	4.760	6,000	36,000	0.75	1.75	2.25	1.44	4.72	2.50	3.75	0.50	4.25	3.00
C110	6.000	4,200	27,500	0.62	1.50	1.75	1.25	4.25	2.50	4.00	0.38	3.50	2.25

ATTACHMENTS ARE ONLY AVAILABLE ON THE OUTER LINK. C188 IS A ROUND BARREL DESIGN

# K1 ATTACHMENTS



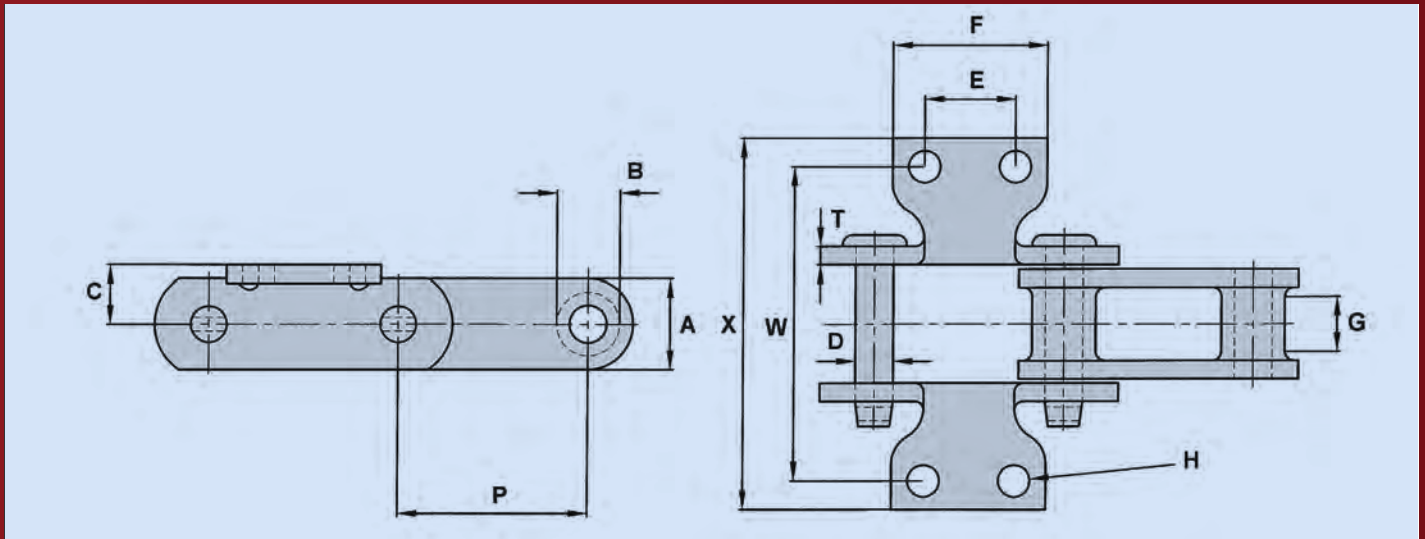
CHAIN No.	Pitch	Allow Load	UTS	Pin Dia.	Sidebar Depth	Max. Gearing	Bush Dia.			Bolt Dia.			
	P			D	A	G	B	C	F	H	T	W	X
C55	1.631	1,400	12,150	0.38	0.75	0.69	0.72	0.50	0.81	0.25	0.19	2.03	2.91
C188	2.609	2,000	17,500	0.50	1.25	0.75	0.87	0.81	2.13	0.38	0.25	3.75	5.13

C188 = ATTACHMENTS ARE ONLY AVAILABLE ON THE OUTER LINK

C55 = ATTACHMENTS ARE ONLY AVAILABLE ON THE INNER LINK

ROUND BARREL DESIGN

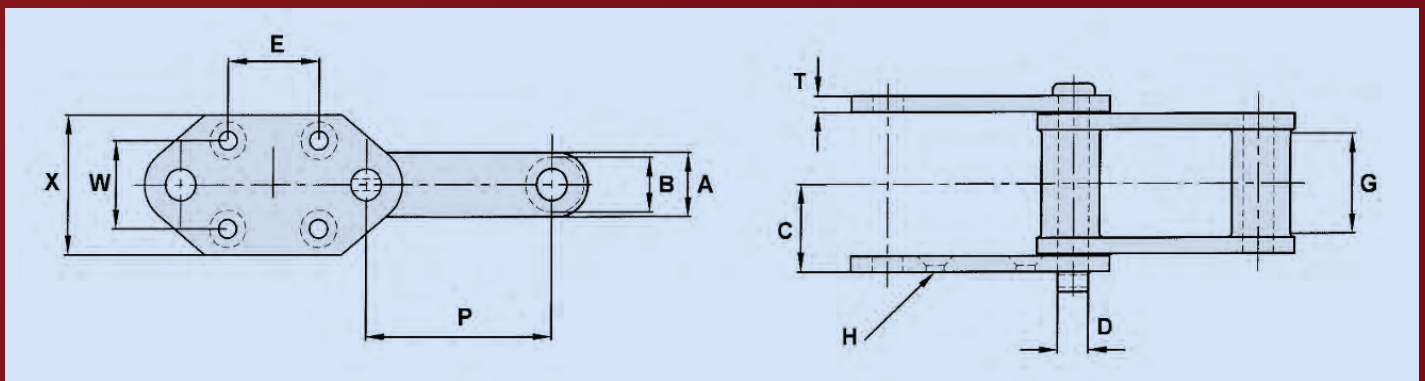
# K2 ATTACHMENTS



CHAIN No.	Pitch	Allow Load	UTS	Pin Dia.	Sidebar Depth	Max. Gearing	Bush Dia.				Bolt Dia.			
	P			D	A	G	B	C	E	F	H	T	W	X
C188	2.609	2,000	17,500	0.50	1.25	0.75	0.87	0.81	1.25	2.13	0.38	0.25	4.19	5.13
C131	3.075	3,220	27,500	0.62	1.50	1.13	1.25	1.00	1.50	2.63	0.50	0.38	4.13	5.25
C102B*	4.000	4,200	27,500	0.62	1.50	1.75	1.00	1.00	1.75	2.69	0.38	0.38	5.31	6.66
C1021/2	4.040	5,550	36,000	0.75	1.75	2.00	1.38	1.00	1.75	2.81	0.50	0.38	5.31	6.50
C111	4.760	6,000	36,000	0.75	1.75	2.25	1.44	1.13	2.31	3.63	0.38	0.38	6.25	7.50
C110	6.000	4,200	27,500	0.62	1.50	1.75	1.25	1.00	1.75	2.87	0.38	0.38	5.31	6.69
C132	6.050	10,000	60,000	1.00	2.00	2.88	1.72	1.25	2.75	4.00	0.50	0.50	7.50	9.18

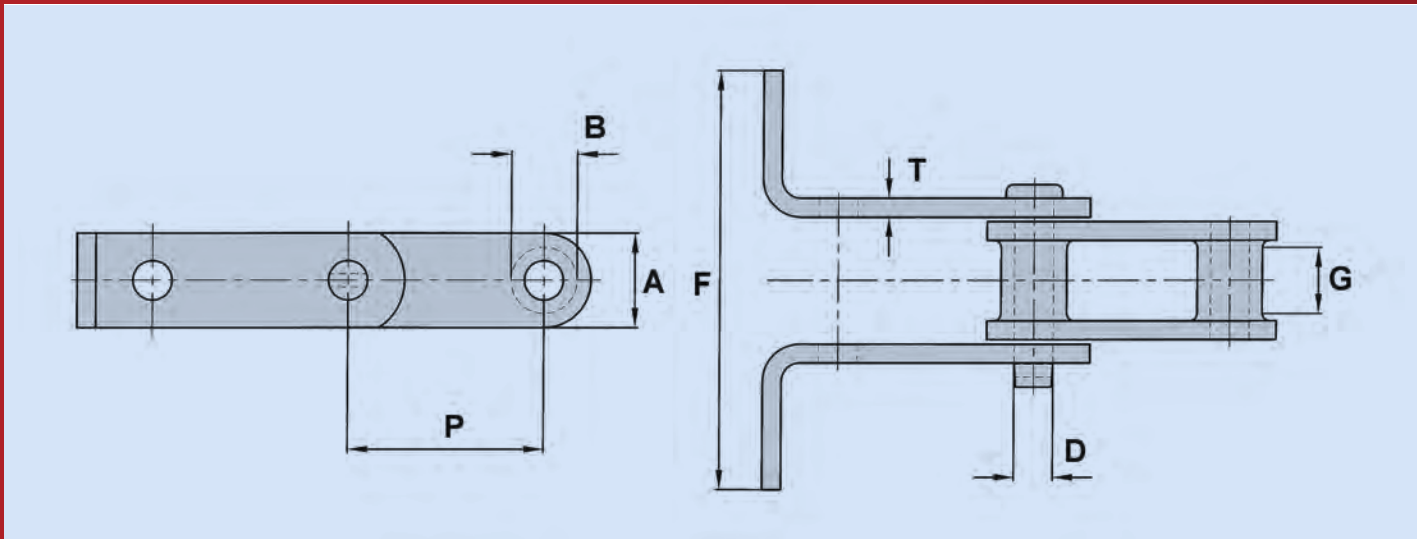
\*K2 ATTACHMENTS FOR CENTRE LINK ARE ONLY AVAILABLE ON C102B AND C1021/2. C188 IS A ROUND BARREL DESIGN

# G4 ATTACHMENTS



CHAIN No.	Pitch	Allow Load	UTS	Pin Dia.	Sidebar Depth	Max. Gearing	Bush Dia.			Bolt Dia.				
	P			D	A	G	B	C	E	H	T	W	X	
C132	6.050	10,000	60,000	1.00	2.00	2.88	1.72	2.72	75mm	15mm	0.50	70mm	4.38	

# WING ATTACHMENTS - INTEGRAL WING

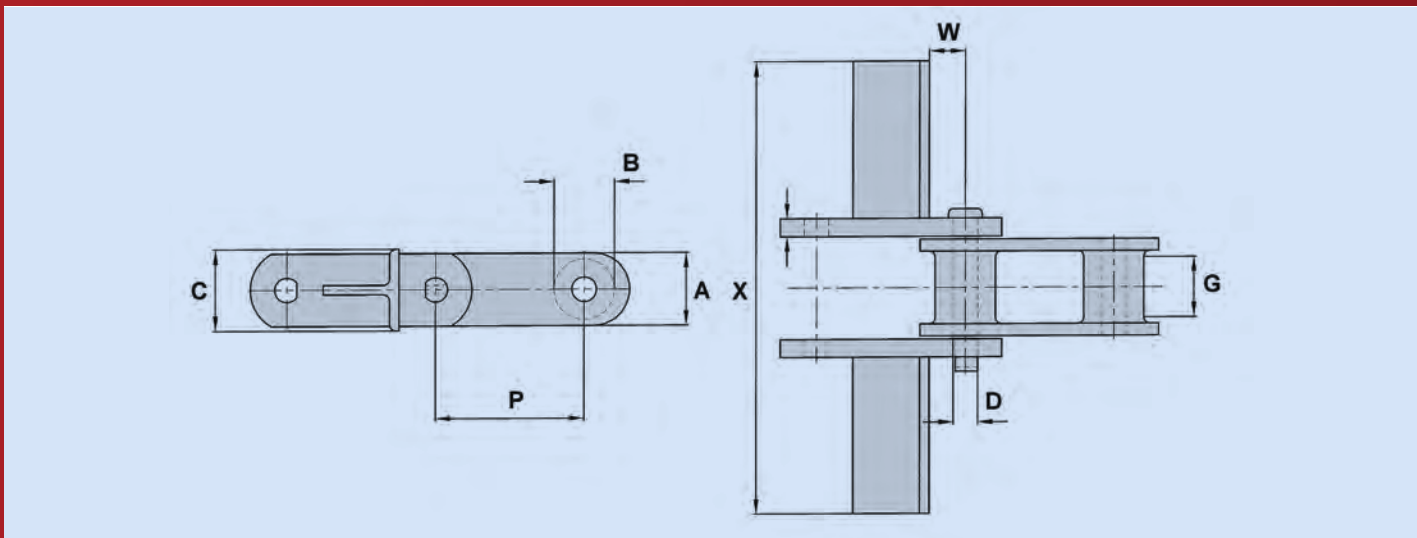


CHAIN No.	Pitch	Allow Load	UTS	Pin Dia.	Sidebar Depth	Max. Gearing	Bush Dia.		
	P			D	A	G	B	F	T
C188	2.609	2,000	17,500	0.50	1.25	0.75	0.87	*	0.25

NOTE: C188 IS A ROUND BARREL DESIGN

\*THIS DIMENSION CAN BE VARIABLE TO SUIT INDIVIDUAL REQUIREMENTS

# “T” WING ATTACHMENTS



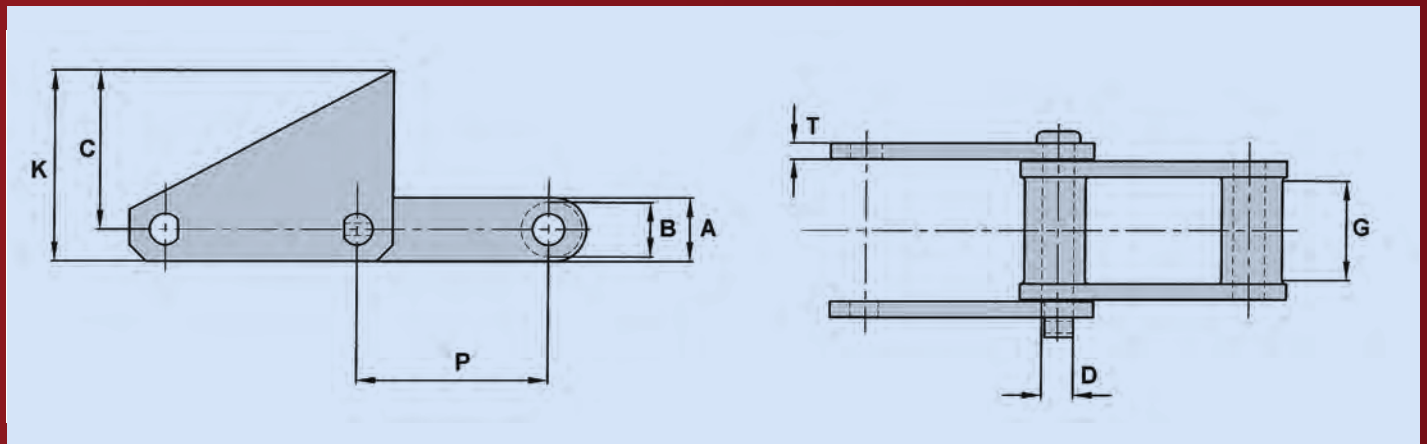
CHAIN No.	Pitch	Allow Load	UTS	Pin Dia.	Sidebar Depth	Max. Gearing	Bush Dia.				
	P			D	A	G	B	C	T	W	X
C131	3.075	3,220	27,500	0.62	1.50	1.13	1.25	40mm	0.38	0.75	*

NOTE: USUALLY SUPPLIED AS ROUND BARREL DESIGN

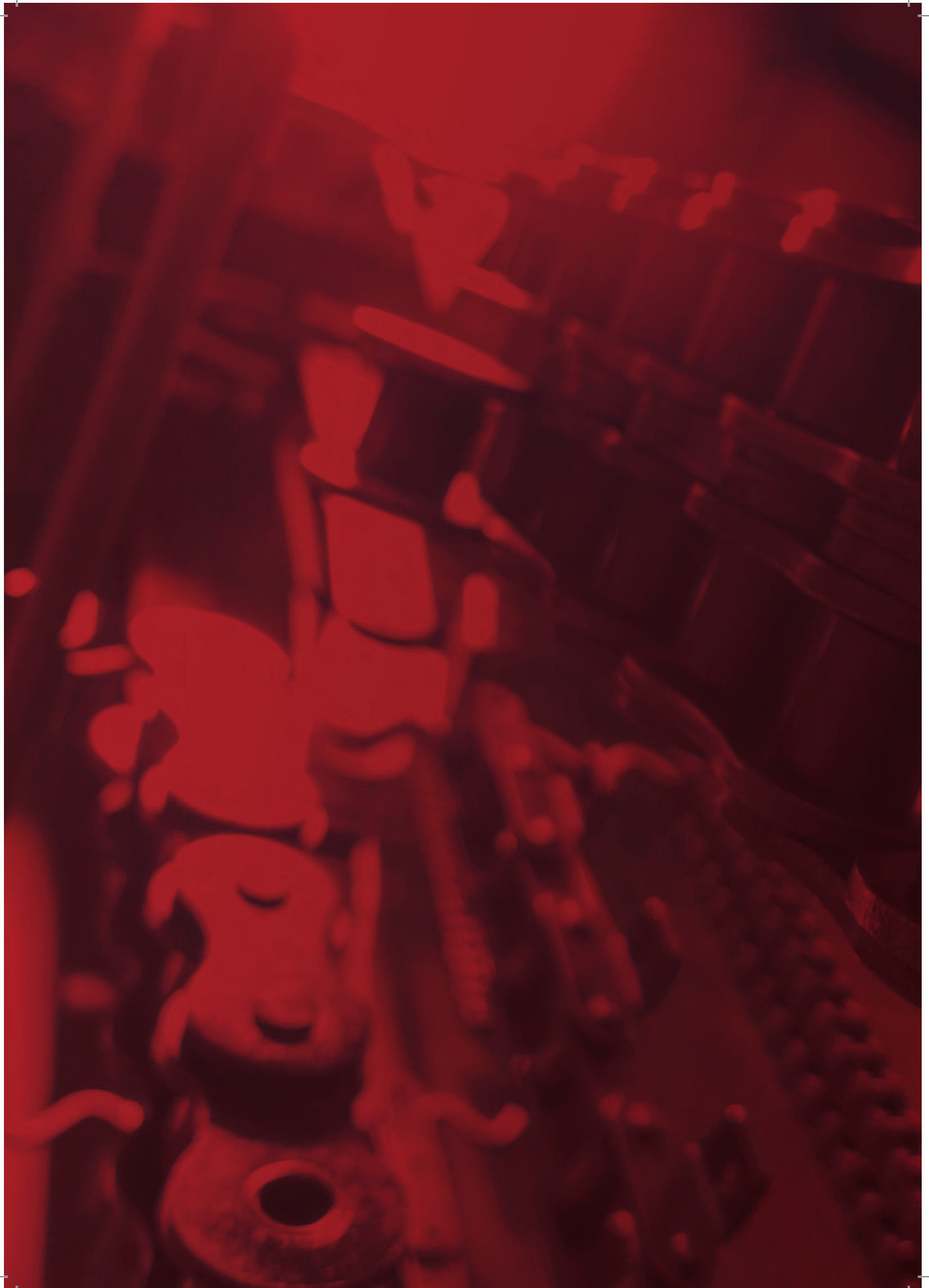
\* THIS DIMENSION CAN BE VARIABLE TO SUIT INDIVIDUAL REQUIREMENTS

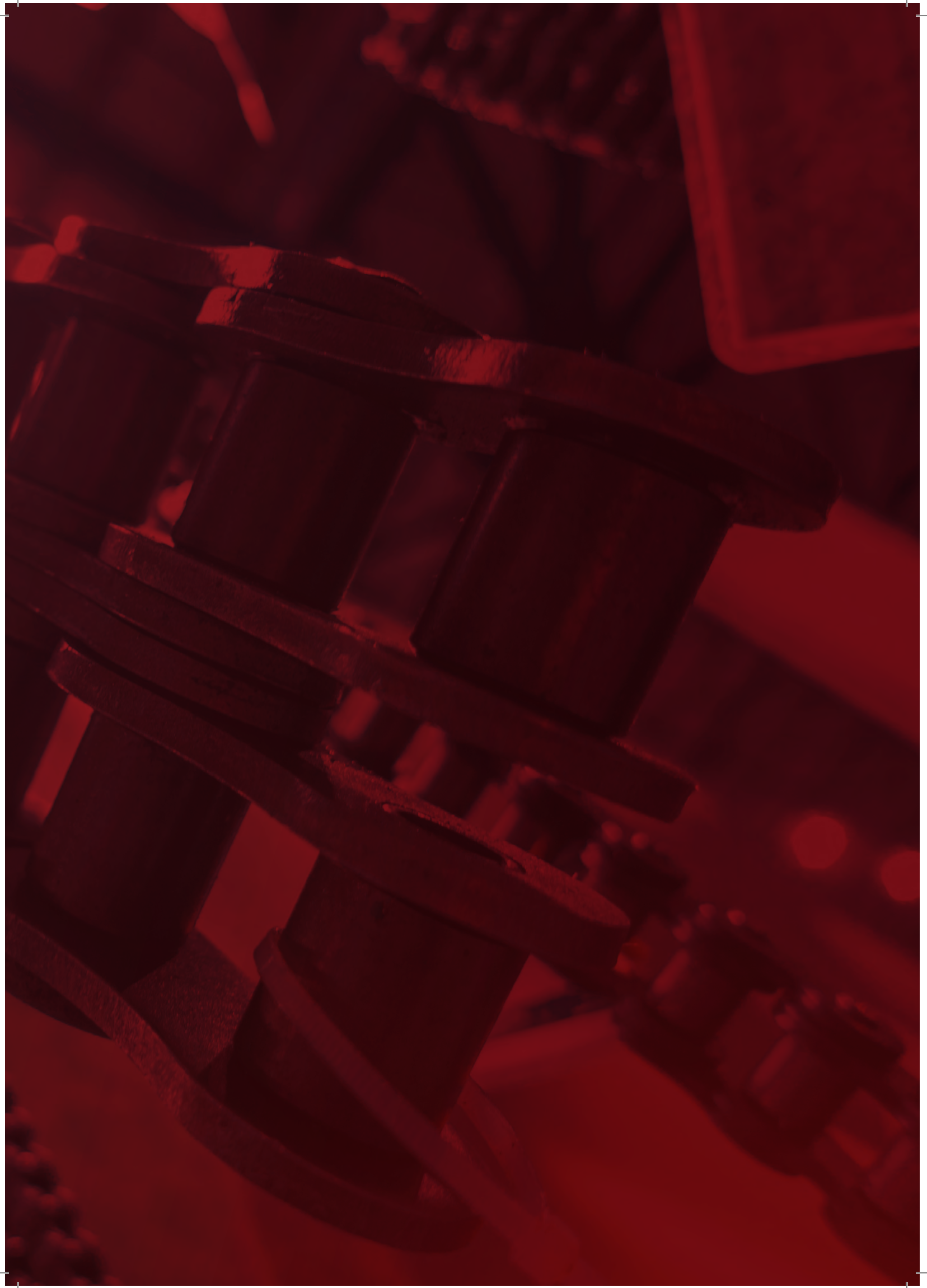


# S1 ATTACHMENTS



CHAIN No.	Pitch	Allow Load	UTS	Pin Dia.	Sidebar Depth	Max. Gearing	Bush Dia.			
	P			D	A	G	B	C	T	W
C131	3.070	3,220	27,500	0.62	1.50	1.13	1.25	3.25	4.00	0.38
C102B	4.000	4,200	27,500	0.62	1.50	1.75	1.00	3.75	4.50	0.38
C111	4.760	6,000	36,000	0.75	1.75	2.25	1.44	4.38	5.25	0.38
C110	6.000	4,200	27,500	0.62	1.50	1.75	1.25	4.25	5.00	0.38
C132	6.050	10,000	60,000	1.00	2.00	2.88	1.72	5.00	6.00	0.50
C132	6.050	10,000	60,000	1.00	2.00	2.88	1.72	8.00	9.00	0.50
C132	6.050	10,000	60,000	1.00	2.00	2.88	1.72	10.00	11.00	0.50







**E W A R T**

SINCE 1879

**ALL ENQUIRIES**

[sales@ewartagriservices.com](mailto:sales@ewartagriservices.com)

[www.ewartagriservices.com](http://www.ewartagriservices.com)

Tel: +44 (0) 1332 227755

Ewart Agri Services Limited  
Stirling House, Outrams Wharf, Little Eaton. Derbyshire. DE21 5EL. UK