



E W A R T

SINCE 1879

PALM OIL INDUSTRY CHAIN

BROCHURE

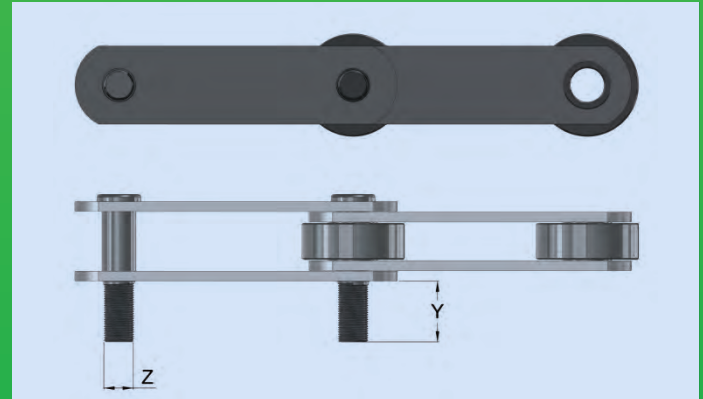
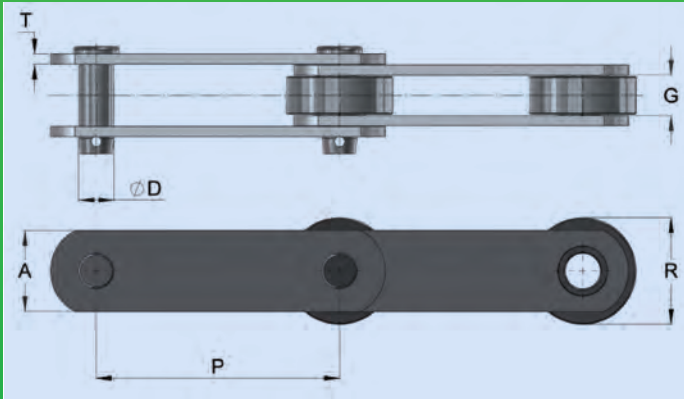


EWART GENUINE RANGE OF PALM OIL CHAINS

EWART range of palm oil mill chains are designed to meet the needs of our customers providing a suitable choice between heat treatment and materials to suit the individual operating conditions of each mill.

Range	Sidebar	Pin	Bush	Roller
ULTIMATE (WRB)	Alloy Steel Hardened & Tempered	Alloy Steel Hardened & Tempered, Further induction Hardened Surface	Alloy Steel Hardened & Tempered	Alloy Steel Hardened & Tempered
X-TREME	Alloy Steel Hardened & Tempered	Alloy Steel Hardened & Tempered, Further induction Hardened Surface	Alloy Steel Case Hardened	Alloy Steel Hardened & Tempered
UNIVERSAL (EUS)	Carbon Steel Hardened & Tempered	Alloy Steel Case Hardened	Alloy Steel Case Hardened	Alloy Steel Case Hardened
UNIVERSAL (EUP)	Alloy Steel Hardened & Tempered	Alloy Steel Case Hardened	Carbon Steel Case Hardened	Alloy Steel Hardened & Tempered
UNIVERSAL (EUX)	Alloy Steel Hardened & Tempered	Alloy Steel Hardened & Tempered, Further Induction Hardened Surface	Carbon Steel Case Hardened	Alloy Steel Hardened & Tempered

EWART GENUINE RANGE OF PALM OIL MILL CHAINS

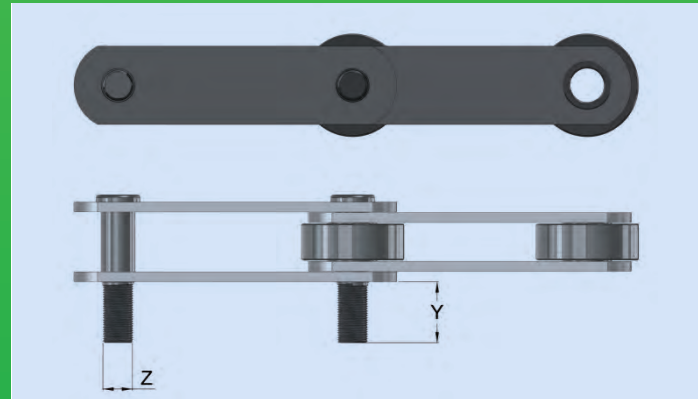
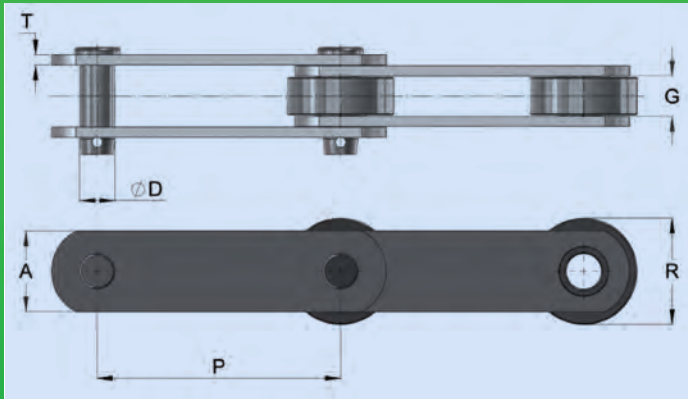


RANGE 1 - ULTIMATE (WRB) RANGE

Chain Ref.	Pitch	U.T.S.	Pin Diameter	Roller Diameter	S/Bar Height	Distance between S/Bars	Sidebar Thickness	Extended Screw Pin	
	P	Lbs	D	R	A	G	T	Y	Z
WRB9503	3.02"	61,500	0.56"	1.18"	1.50"	1.24"	0.25"	-	-
WRB1016H	4.00"	46,000	0.75"	1.87"	1.50"	0.75"	0.25"	1.47"	M16
WRB5289	6.00"	70,000	0.87"	2.63"	2.00"	1.00"	0.25"	1.61"	M20
WRB09060	6.00"	106,000	0.75"	2.75"	2.00"	1.50"	0.375"	1.53"	M18
WRB6889	6.00"	116,000	1.25"	3.50"	2.40"	1.50"	0.35"	1.97"	M30
WRB5305	160mm	95,000	0.69"	2.75"	2.00"	1.50"	0.25"	1.42"	M16

RANGE 2 - X-TREME RANGE

Chain Ref.	Pitch	U.T.S.	Pin Diameter	Roller Diameter	S/Bar Height	Distance between S/Bars	Sidebar Thickness	Extended Screw Pin	
	P	Lbs	D	R	A	G	T	Y	Z
SS188	2.609"	25,000	0.50"	No Roller	1.25"	1.06"	0.25"	-	-
9503	3.02"	61,500	0.56"	1.18"	1.50"	1.25"	0.25"	-	-
B3076	3.00"	16,000	0.55"	1.25"	1.00"	0.685"	0.157"	-	-
B4075	4.00"	16,000	0.55"	1.25"	1.00"	0.685"	0.157"	-	-
B5125	4.00"	34,000	0.45"	1.88"	1.25"	0.84"	0.19"	-	-
B5126	4.00"	34,000	0.45"	1.75"	1.13"	1.06"	0.25"	-	-
B1016H	4.00"	46,000	0.75"	1.88"	1.50"	0.75"	0.25"	1.47"	M16
B5326H	6.00"	38,000	0.75"	1.88"	1.50"	0.75"	0.20"	-	-
B5289	6.00"	70,000	0.87"	2.63"	2.00"	1.00"	0.25"	1.61"	M20
09060	6.00"	106,000	0.75"	2.75"	2.00"	1.50"	0.38"	1.53"	M18
B6889	6.00"	116,000	1.25"	3.50"	2.40"	1.50"	0.35"	1.97"	M30
B5305	160mm	95,000	0.69"	2.75"	2.00"	1.50"	0.25"	1.42"	M16
P0M4P32	4.000	32,000	0.75"	1.88"	1.50"	0.75"	5mm	1.42"	M16
P0M6P40	6.000	40,000	0.75"	1.88"	1.50"	0.75"	6mm	1.47"	M18
P0M6P60	6.000	60,000	0.87"	2.63"	2.00"	1.00"	6mm	1.61"	M20
P0M6P80	6.000	80,000	0.75"	2.75"	2.00"	1.50"	8mm	1.53"	M18
ES9503S25	3.022	61,500	0.56"	1.18"	1.50"	1.25"	0.25"	-	-
ES4P23	4.00"	38,000	0.75"	1.88"	1.50"	0.75"	0.20"	1.42"	M16
ES90R20	4.00"	39,000	0.45"	1.88"	1.25"	0.84"	0.19"	-	-
ES94R30	4.00"	59,000	0.57"	2.00"	1.50"	1.18"	0.25"	-	-
ES604R30	6.00"	59,000	0.57"	2.00"	1.50"	1.18"	0.25"	-	-
ES6P36	6.00"	82,000	1.06"	2.63"	2.00"	1.00"	0.307"	1.73"	M24
ESB5305R	160mm	95,000	0.69"	2.75"	2.00"	1.50"	0.25"	1.42"	M16



RANGE 3 - UNIVERSAL (EUS) RANGE

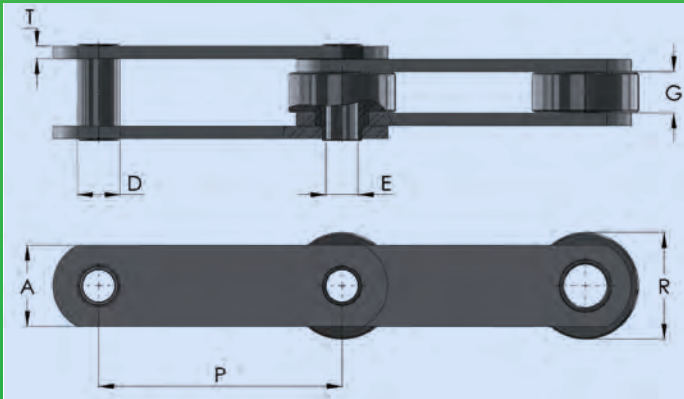
Chain Ref.	Pitch	U.T.S.	Pin Diameter	Roller Diameter	S/Bar Height	Distance between S/Bars	Sidebar Thickness	Extended Screw Pin	
	P	Lbs	D	R	A	G	T	Y	Z
EUS4161	4.00"	18,000	0.75"	1.875"	1.50"	0.75"	4.50mm	1.46"	M18
EUS4162	4.00"	32,000	1.059"	2.625"	2.00"	1.00"	6.40mm	1.57"	M20
EUS6241	6.00"	18,000	0.75"	1.875"	1.50"	0.75"	4.50mm	1.46"	M18
EUS6242	6.00"	32,000	1.059"	2.625"	2.00"	1.00"	6.40mm	1.57"	M20
EUS6243	6.00"	50,000	1.25"	3.500"	2.40"	1.50"	9.00mm	1.97"	M30

RANGE 3 (CONTINUED) - UNIVERSAL (EUP) RANGE

Chain Ref.	Pitch	U.T.S.	Pin Diameter	Roller Diameter	S/Bar Height	Distance between S/Bars	Sidebar Thickness	Extended Screw Pin	
	P	Lbs	D	R	A	G	T	Y	Z
EUP4161	4.00"	26,000	0.75"	1.875"	1.50"	0.75"	4.50mm	1.46"	M18
EUP4162	4.00"	50,000	1.059"	2.625"	2.00"	1.00"	6.40mm	1.57"	M20
EUP6241	6.00"	26,000	0.75"	1.875"	1.50"	0.75"	4.50mm	1.46"	M18
EUP6242	6.00"	50,000	1.059"	2.625"	2.00"	1.00"	6.40mm	1.57"	M20

RANGE 3 (CONTINUED) - UNIVERSAL (EUX) RANGE

Chain Ref.	Pitch	U.T.S.	Pin Diameter	Roller Diameter	S/Bar Height	Distance between S/Bars	Sidebar Thickness	Extended Screw Pin	
	P	Lbs	D	R	A	G	T	Y	Z
EUX4161	4.00"	30,000	0.75"	1.875"	1.50"	0.75"	4.50mm	1.46"	M18
EUX4162	4.00"	60,000	1.059"	2.625"	2.00"	1.00"	6.40mm	1.57"	M20
EUX6241	6.00"	30,000	0.75"	1.875"	1.50"	0.75"	4.50mm	1.46"	M18
EUX6242	6.00"	60,000	1.059"	2.625"	2.00"	1.00"	6.40mm	1.57"	M20



EWART GENUINE HOLLOW PIN

Chain Ref	Pitch	U.T.S	Pin O/D	Pin	Roller Diameter	S/bar Height	Distance Between	Thk
	P	Lbs	D	E	R	A	G	T
B5I27	4.00"	12,000	0.75"	0.52" Bore	1.88"	1.50"	0.75"	0.20"
HES4P18	4.00"	18,000	0.75"	0.52" Bore	1.88"	1.50"	0.75"	0.20"
B5I30	4.00"	36,000	1.06"	0.79" Bore	2.625"	2.00"	1.00"	0.25"
B5325	6.00"	30,000	1.06"	0.79" Bore	2.625"	2.00"	1.00"	0.25"
B5328	6.00"	35,000	1.06"	0.79" Bore	2.625"	2.00"	1.00"	0.25"
HES6P30	6.00"	38,000	1.06"	0.79" Bore	2.625"	2.00"	1.00"	0.28"
B5327	6.00"	50,000	1.06"	0.79" Bore	2.625"	2.00"	1.00"	0.315"

RANGE 3 - UNIVERSAL (EUHS) HOLLOW PIN

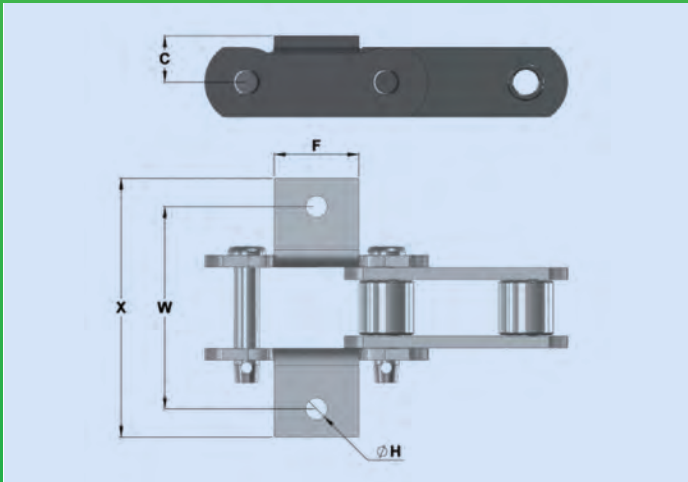
Chain Ref	Pitch	U.T.S	Pin O/D	Pin	Roller Diameter	S/bar Height	Distance Between	Thk
	P	Lbs	D	E	R	A	G	T
EUHS4161	4.00"	15,000	0.75"	0.52"	1.875"	1.50"	0.75"	4.50mm
EUHS4162	4.00"	26,000	1.059"	0.79"	2.625"	2.00"	1.00"	6.40mm
EUHS6242	6.00"	26,000	1.059"	0.79"	2.625"	2.00"	1.00"	6.40mm
EUHS6243	6.00"	44,000	1.25"	0.91"	3.500"	2.40"	1.50"	9.00mm

RANGE 3 - UNIVERSAL (EUHP) HOLLOW PIN

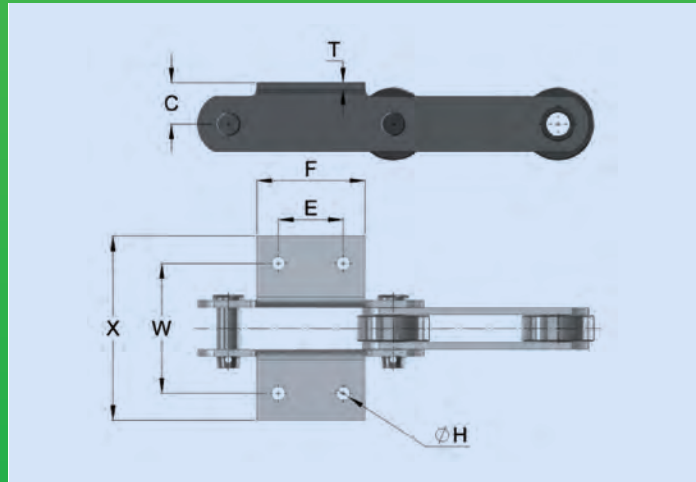
Chain Ref	Pitch	U.T.S	Pin O/D	Pin	Roller Diameter	S/bar Height	Distance Between	Thk
	P	Lbs	D	E	R	A	G	T
EUHP4161	4.00"	17,000	0.75"	0.52"	1.875"	1.50"	0.75"	4.50mm
EUHP4162	4.00"	36,000	1.059"	0.79"	2.625"	2.00"	1.00"	6.40mm
EUHP6242	6.00"	36,000	1.059"	0.79"	2.625"	2.00"	1.00"	6.40mm

RANGE 3 - UNIVERSAL (EUHX) HOLLOW PIN

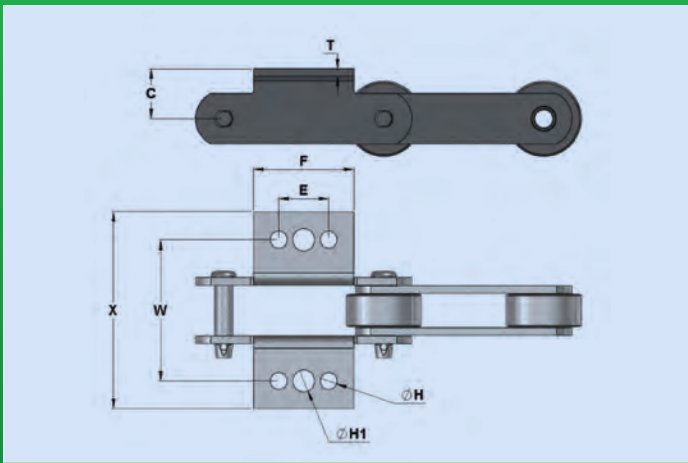
Chain Ref	Pitch	U.T.S	Pin O/D	Pin	Roller Diameter	S/bar Height	Distance Between	Thk
	P	Lbs	D	E	R	A	G	T
EUHX4161	4.00"	24,000	0.75"	0.52"	1.875"	1.50"	0.75"	4.50mm
EUHX6242	6.00"	50,000	1.059"	0.79"	2.625"	2.00"	1.00"	6.40mm



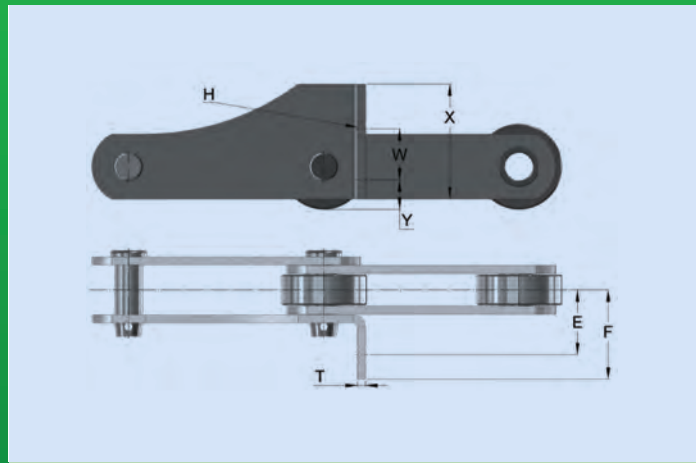
K1 ATTACHMENTS



K2 ATTACHMENTS



K3 ATTACHMENTS



LA 2 ATTACHMENTS

K1 ATTACHMENTS

Chain Ref	C	F	H	T	W	X
WRB9503, 9503, ES9503S25	4.00"	24,000	0.75"	0.52"	1.875"	1.50"

K2 ATTACHMENTS

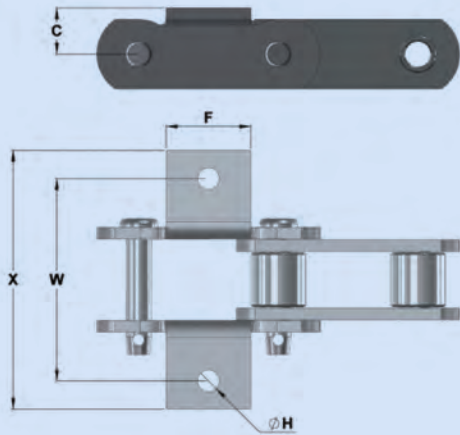
Chain Ref	C	E	F	H	T	W	X
WRB5289, B5289	1.50"	60mm	100mm	0.50"	0.25"	120mm	170mm
WRB1016H, B1016H, ES94R30	1.25"	1.25"	2.81"	0.42"	0.25"	3.50"	5.50"
ES4P23	1.25"	1.25"	2.81"	0.42"	0.20"	3.50"	5.50"

K3 ATTACHMENTS

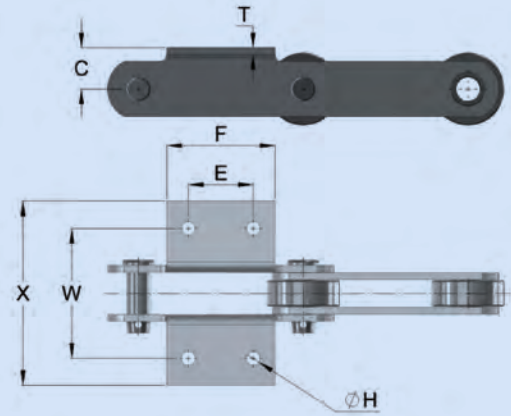
Chain Ref	C	E	F	H	H1	T	W	X
ES90R20	1.25"	1.25"	2.5"	0.42"	0.55"	4.8mm	3.5"	4.87"

LA 2 ATTACHMENTS

Chain Ref	C	E	F	W	X	H	T
WRB5289, B5289	2.00"	2.75"	0.47"	0.25"	40MM	3.50"	0.90"
ES90R20	2.00"	2.75"	0.47"	4.8MM	40MM	2.75"	0.91"
ES4P23	1.25"	1.25"	2.81"	0.42"	0.20"	3.50"	5.50"



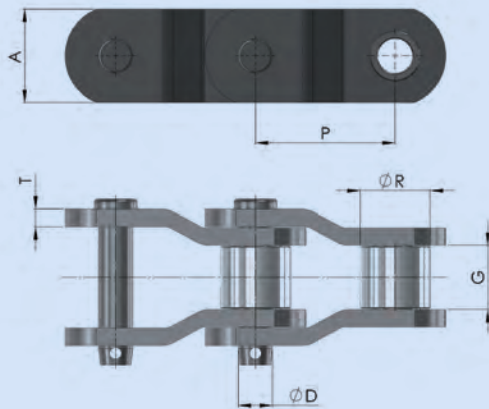
K1 ATTACHMENTS



K2 ATTACHMENTS

CAST ELEVATOR CHAINS

Chain Ref	Pitch	U.T.S	Pin Diameter	S/bar Height	Max Gearing	Barrel Diameter	C	E	F	Bolt Diameter	T	W	X
	P	Lbs	D	A	G	R				H			
503 K1	3.020"	20,000	0.56"	1.38"	1.13"	1.09"	0.88"	-	1.63"	0.38"	0.31"	4.38"	5.63"
504 K2	4.060"	27,500	0.63"	1.69"	1.75"	1.31"	1.00"	1.50"	2.63"	0.50"	0.50"	5.81"	7.00"



HEAVY DUTY STEEL ROTARY DRIVE CHAINS

Chain Ref	Pitch	U.T.S	Pin Diameter	Roller Diameter	S/bar Height	Max Gearing	T
	P		D	R	A	G	
API3P	3.075"	75,000	0.65"	1.25"	1.56"	1.50"	0.38"
B7811	3.075"	100,000	0.65"	1.25"	1.75"	1.50"	0.38"
API4P	4.063"	150,000	0.88"	1.75"	2.25"	2.00"	0.50"



E W A R T

SINCE 1879

ALL ENQUIRIES

sales@ewartuk.com

www.ewartagriservices.com

Tel: +44 (0) 1332 227755

Ewart Agri Services Limited
Stirling House, Outrams Wharf, Little Eaton. Derbyshire. DE21 5EL. UK